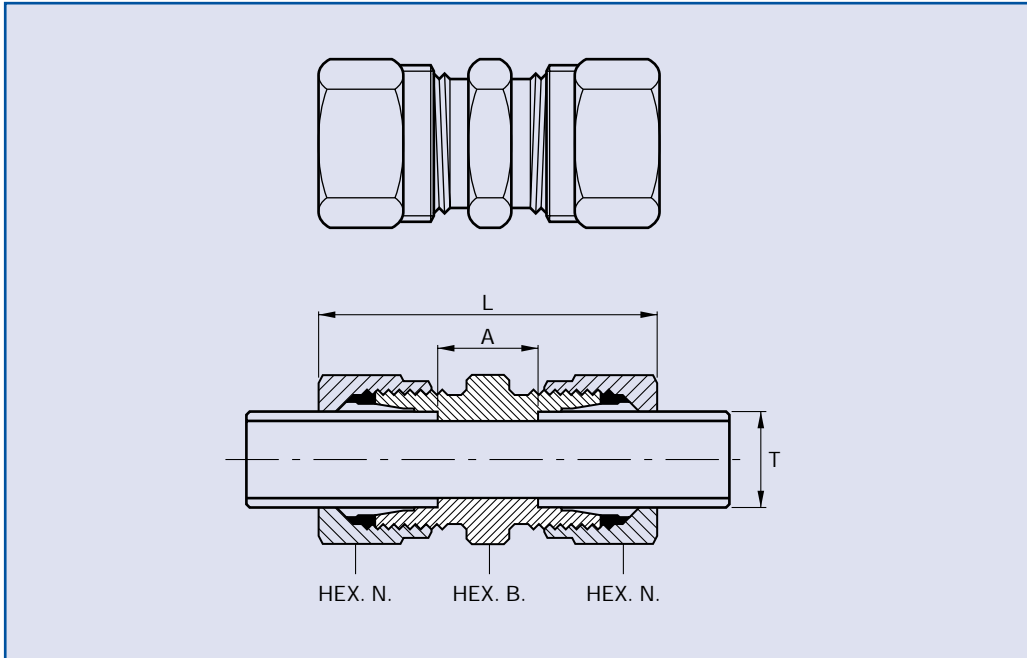


IMPERIAL STRAIGHT COUPLINGS

FOR O.D. & N.B. TUBES



STRAIGHT COUPLINGS

O.D. TUBES

Part No.	Tube Dia. T.	Nut Hexagon N. A/F	Body Hexagon B. A/F	Tube Abutment A.	O/A Length L.
SC4	1/4"	.710"	.625"	5/16"	1 23/32"
SC5	5/16"	.710"	.710"	3/8"	1 29/32"
SC6	3/8"	.820"	.710"	3/8"	1 13/16"
SC8	1/2"	.920"	.820"	7/16"	1 15/16"
SC10	5/8"	1.10"	.920"	7/16"	2"
SC12	3/4"	1.20"	1.10"	1/2"	2 1/8"
SC14	7/8"	1.375"	1.20"	9/16"	2 9/16"
SC16	1"	1.67"	1.48"	1 1/16"	2 9/16"
SC20	1 1/4"	2.05"	1.67"	1 5/16"	2 7/8"
SC24	1 1/2"	2.22"	2.05"	1"	3 1/8"

N.B. TUBES

Part No.	N.B. Tube Size T.	Nut Hexagon N.	Body Hexagon B.	Tube Abutment A.	O/A Length L.
NSC2	1/8"	.820"	.710"	7/16"	1 15/16"
NSC4	1/4"	1.10"	.920"	7/16"	2"
NSC6	3/8"	1.20"	1.10"	1/2"	2 1/8"
NSC8	1/2"	1.375"	1.20"	9/16"	2 9/16"
NSC12	3/4"	1.67"	1.48"	3/4"	2 3/4"
NSC16	1"	2.05"	1.67"	1 5/16"	2 7/8"
NSC20	1 1/4"	2.58"	2.22"	1 3/16"	3 3/8"
NSC24	1 1/2"	3.02"	2.58"	1 1/8"	3 1/2"

Part numbers indicated are for **Carbon Steel Couplings** only.
For **316 Stainless Steel Couplings**, add suffix **SS** to part number.