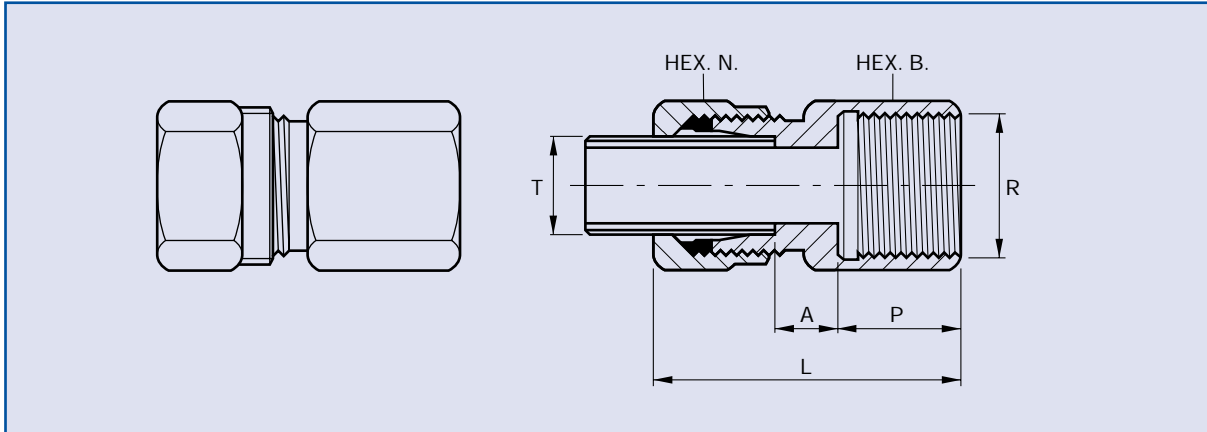


IMPERIAL BSP PARALLEL FEMALE STUD COUPLINGS

FOR O.D. & N.B. TUBES

BETABITE
HYDRAULICS



Part No.	Tube Dia. T.	BSP Thread R.	Nut Hexagon N.	Body Hexagon B.	Tube Abutment A.	Thread Length P.	O/A Length L.
FC4-2	1/4"	1/8"	.710"	.625"	7/32"	3/8"	1 1/32"
FC4-4	1/4"	1/4"	.710"	.710"	7/32"	7/16"	1 1/32"
FC4-6	1/4"	3/8"	.710"	.920"	7/32"	1/2"	1 13/32"
FC6-4	3/8"	1/4"	.820"	.710"	1/4"	7/16"	1 13/32"
FC6-6	3/8"	3/8"	.820"	.920"	1/4"	1/2"	1 15/32"
FC6-8	3/8"	1/2"	.820"	1.10"	5/16"	5/8"	1 21/32"
FC8-4	1/2"	1/4"	.920"	.820"	3/16"	7/16"	1 3/8"
FC8-6	1/2"	3/8"	.920"	.920"	9/32"	1/2"	1 11/32"
FC8-8	1/2"	1/2"	.920"	1.10"	1 1/32"	5/8"	1 23/32"
FC8-12	1/2"	3/4"	.920"	1.30"	1 1/32"	3/4"	1 27/32"
FC10-8	5/8"	1/2"	1.10"	1.10"	5/16"	5/8"	1 23/32"
FC12-12	3/4"	3/4"	1.20"	1.30"	5/16"	3/4"	1 7/8"
FC14-12	7/8"	3/4"	1.375"	1.30"	5/16"	3/4"	1 5/16"
FC16-16	1"	1"	1.67"	1.67"	1 1/32"	7/8"	2 3/32"
FC20-20	1 1/4"	1 1/4"	2.05"	2.05"	1/2"	1"	2 5/32"
FC24-24	1 1/2"	1 1/2"	2.22"	2.22"	1/2"	1"	2 5/16"

Part No.	N.B. Tube Size T.	BSP Thread R.	Nut Hexagon B.	Body Hexagon B.	Tube Abutment A.	Thread Length P.	O/A Length L.
NFC2-2	1/8"	1/8"	.820"	.710"	7/32"	3/8"	1 1/32"
NFC4-2	1/4"	1/8"	1.10"	.920"	3/16"	3/8"	1 1/32"
NFC4-4	1/4"	1/4"	1.10"	.920"	3/16"	7/16"	1 13/32"
NFC4-6	1/4"	3/8"	1.10"	.920"	3/16"	1/2"	1 15/32"
NFC4-8	1/4"	1/2"	1.10"	1.10"	1/4"	5/8"	1 21/32"
NFC6-6	3/8"	3/8"	1.20"	1.10"	3/16"	1/2"	1 1/2"
NFC6-8	3/8"	1/2"	1.20"	1.10"	1/4"	5/8"	1 11/16"
NFC8-6	1/2"	3/8"	1.375"	1.20"	3/16"	1/2"	1 1/16"
NFC8-8	1/2"	1/2"	1.375"	1.20"	1/4"	5/8"	1 3/4"
NFC8-12	1/2"	3/4"	1.375"	1.30"	5/16"	3/4"	1 15/16"
NFC12-12	3/4"	3/4"	1.67"	1.48"	9/32"	3/4"	2 1/32"
NFC16-16	1"	1"	2.05"	1.67"	7/16"	7/8"	2 7/32"
NFC20-20	1 1/4"	1 1/4"	2.58"	2.22"	3/8"	1"	2 5/32"
NFC24-24	1 1/2"	1 1/2"	3.02"	2.58"	7/16"	1"	2 5/8"

BSP PARALLEL FEMALE STUD COUPLINGS

Part numbers indicated are for Carbon Steel Couplings only.
For 316 Stainless Steel Couplings, add suffix SS to part number.