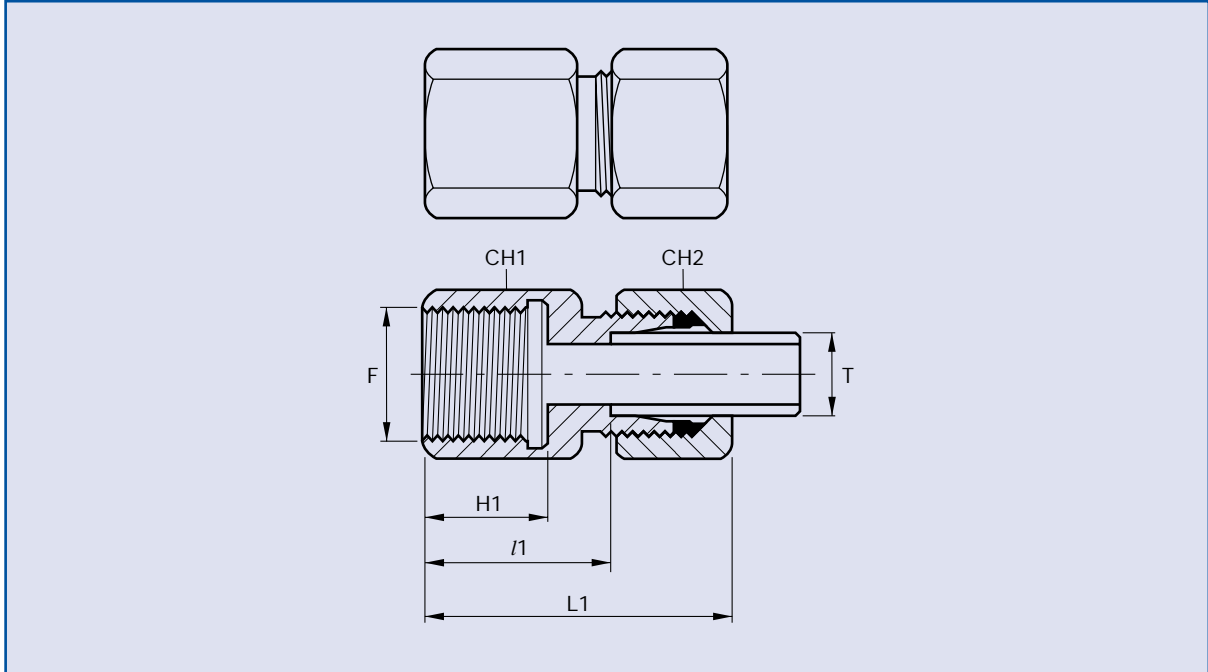


# METRIC BSP PARALLEL FEMALE STUD COUPLINGS

THREAD: BSP CYLINDRICAL (UNI ISO 228)



Series	NP	ØT	Part N°	ØF	CH1	CH2	L1	H1	l1
L	315	6	MFC6-2L	1/8"	14	14	34	12	19
L	315	8	MFC8-4L	1/4"	19	17	39	17	24
L	315	10	MFC10-4L	1/4"	19	19	40	17	25
L	315	12	MFC12-4L	1/4"	19	22	41	17	25
L	315	12	MFC12-6L	3/8"	22	22	41	17	26
L	315	12	MFC12-8L	1/2"	27	22	44	20	30
L	315	15	MFC15-8L	1/2"	27	27	45	20	30
L	315	18	MFC18-8L	1/2"	27	32	46	20	29.5
L	160	22	MFC22-12L	3/4"	32	36	51	22	34.5
L	160	28	MFC28-16L	1"	41	41	53.5	24.5	37
L	160	35	MFC35-20L	1 1/4"	50	50	60.5	26.5	39
L	160	42	MFC42-24L	1 1/2"	55	60	63.5	28.5	40.5
S	630	6	MFC6-4	1/4"	19	17	41	17	26
S	630	8	MFC8-4	1/4"	19	19	41	17	26
S	630	10	MFC10-6	3/8"	24	22	42	17	26.5
S	630	12	MFC12-6	3/8"	24	24	42	17	26.5
S	630	14	MFC14-8	1/2"	27	27	50	20	32
S	400	16	MFC16-8	1/2"	27	30	50	20	31.5
S	400	20	MFC20-12	3/4"	36	36	56	22	34.5
S	400	25	MFC25-16	1"	41	46	61.5	24.5	37.5
S	400	30	MFC30-20	1 1/4"	50	55	68.5	26.5	42
S	315	38	MFC38-24	1 1/2"	60	60	74.5	28.5	43.5

Part numbers indicated are for **Carbon Steel Couplings** only.  
For **316 Stainless Steel Couplings**, add suffix **SS** to part number.