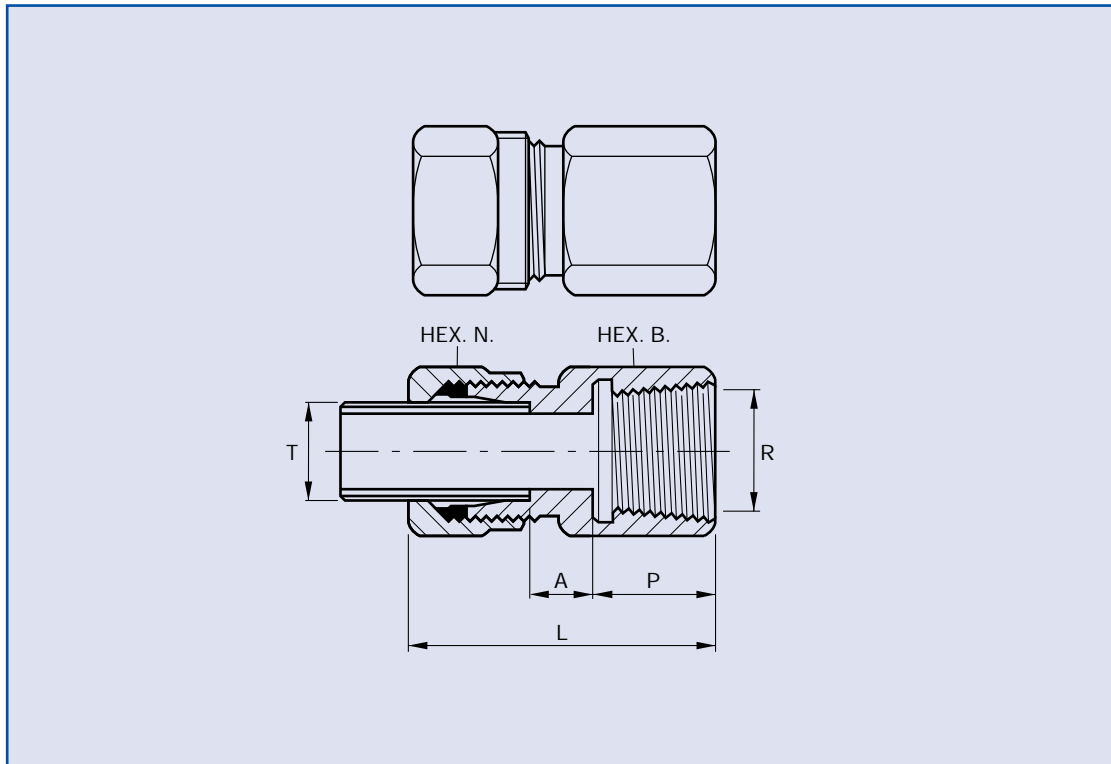


IMPERIAL NPT TAPER FEMALE STUD COUPLINGS

FOR O.D. TUBES



Part No.	Tube Dia. T.	NPT Thread R.	Nut Hexagon N.	Body Hexagon B.	Tube Abutment A.	Thread Length P.	O/A Length L.
FC4-2AT	1/4"	1/8"	.710"	.625"	7/32"	13/32"	1 1/16"
FC4-4AT	1/4"	1/4"	.710"	.710"	7/32"	19/32"	1 1/2"
FC4-6AT	1/4"	3/8"	.710"	.920"	7/32"	5/8"	1 11/32"
FC6-4AT	3/8"	1/4"	.820"	.710"	7/32"	19/32"	1 17/32"
FC6-6AT	3/8"	3/8"	.820"	.920"	1/4"	5/8"	1 19/32"
FC6-8AT	3/8"	1/2"	.820"	1.10"	9/32"	25/32"	1 25/32"
FC8-4AT	1/2"	1/4"	.920"	.820"	3/16"	19/32"	1 17/32"
FC8-6AT	1/2"	3/8"	.920"	.920"	1/4"	5/8"	1 7/8"
FC8-8AT	1/2"	1/2"	.920"	1.10"	11/32"	25/32"	1 7/8"
FC8-12AT	1/2"	3/4"	.920"	1.30"	1 1/32"	13/16"	1 29/32"
FC10-8AT	5/8"	1/2"	1.10"	1.10"	5/16"	25/32"	1 7/8"
FC12-12AT	3/4"	3/4"	1.20"	1.30"	1/4"	13/16"	1 7/8"
FC14-12AT	7/8"	3/4"	1.375"	1.30"	5/16"	13/16"	2"
FC16-16AT	1"	1"	1.67"	1.67"	13/32"	1"	2 11/32"
FC20-20AT	1 1/4"	1 1/4"	2.05"	2.05"	1/2"	1"	2 15/32"
FC24-24AT	1 1/2"	1 1/2"	2.22"	2.22"	15/32"	1 1/32"	2 9/16"

NPT TAPER FEMALE STUD COUPLINGS

Part numbers indicated are for **Carbon Steel Couplings** only.
For **316 Stainless Steel Couplings**, add suffix **SS** to part number.