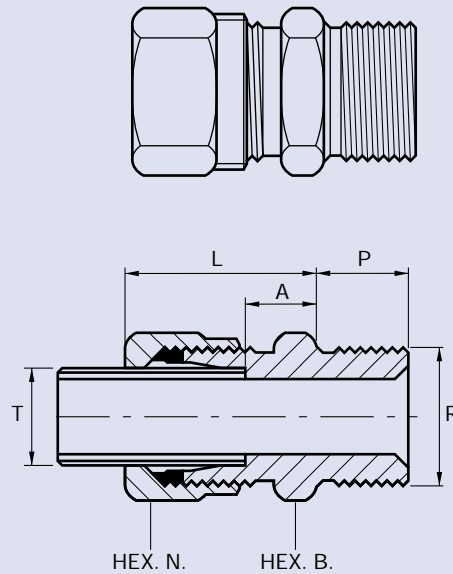


IMPERIAL BSP PARALLEL MALE STUD COUPLINGS

FOR N.B. TUBES



Part No.	N.B. Tube Size T.	BSP Thread R.	Nut Hexagon N.	Body Hexagon B.	Tube Abutment A.	Thread Length P.	O/A Length L.
NMC2-2	1/8"	1/8"	.820"	.710"	1 1/32"	3/8"	1 3/32"
NMC2-4	1/8"	1/4"	.820"	.710"	1 1/32"	7/16"	1 3/32"
NMC2-6	1/8"	3/8"	.820"	.920"	1 3/32"	1/2"	1 5/32"
NMC4-2	1/4"	1/8"	1.10"	.920"	3/8"	3/8"	1 5/32"
NMC4-4	1/4"	1/4"	1.10"	.920"	3/8"	7/16"	1 5/32"
NMC4-6	1/4"	3/8"	1.10"	.920"	3/8"	1/2"	1 5/32"
NMC4-8	1/4"	1/2"	1.10"	1.10"	7/16"	5/8"	1 7/32"
NMC6-4	3/8"	1/4"	1.20"	1.10"	7/16"	7/16"	1 1/4"
NMC6-6	3/8"	3/8"	1.20"	1.10"	7/16"	1/2"	1 1/4"
NMC6-8	3/8"	1/2"	1.20"	1.10"	7/16"	5/8"	1 1/4"
NMC8-4	1/2"	1/4"	1.375"	1.20"	1/2"	7/16"	1 3/8"
NMC8-6	1/2"	3/8"	1.375"	1.20"	1/2"	1/2"	1 3/8"
NMC8-8	1/2"	1/2"	1.375"	1.20"	1/2"	5/8"	1 3/8"
NMC8-12	1/2"	3/4"	1.375"	1.30"	9/16"	3/4"	1 7/16"
NMC8-16	1/2"	1"	1.375"	1.67"	5/8"	7/8"	1 1/2"
NMC12-8	3/4"	1/2"	1.67"	1.48"	19/32"	5/8"	1 19/32"
NMC12-12	3/4"	3/4"	1.67"	1.48"	19/32"	3/4"	1 19/32"
NMC12-16	3/4"	1"	1.67"	1.67"	2 1/32"	7/8"	1 21/32"
NMC16-12	1"	3/4"	2.05"	1.67"	3/4"	3/4"	1 23/32"
NMC16-16	1"	1"	2.05"	1.67"	3/4"	7/8"	1 23/32"
NMC16-20	1"	1 1/4"	2.05"	2.05"	13/16"	1"	1 25/32"
NMC20-16	1 1/4"	1"	2.58"	2.22"	15/16"	7/8"	2 1/8"
NMC20-20	1 1/4"	1 1/4"	2.58"	2.22"	15/16"	1"	2 1/8"
NMC20-24	1 1/4"	1 1/2"	2.58"	2.22"	15/16"	1"	2 1/8"
NMC24-24	1 1/2"	1 1/2"	3.02"	2.58"	15/16"	1"	2 1/8"
NMC24-32	1 1/2"	2"	3.02"	2.76"	15/16"	1 1/8"	2 1/8"

NOTE: THE BSP THREADS ARE ALL COUNTERSUNK 60°, SUITABLE FOR HOSE CONNECTION.

Part numbers indicated are for **Carbon Steel Couplings** only.
For **316 Stainless Steel Couplings**, add suffix **SS** to part number.

BSP PARALLEL MALE STUD COUPLINGS