

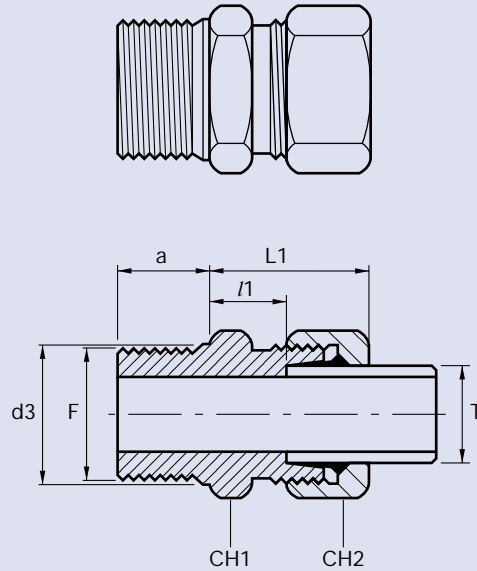
METRIC MALE STUD COUPLINGS

THREAD: BSP CYLINDRICAL (UNI ISO 228)
L SERIES

BETABITE
HYDRAULICS



MALE STUD COUPLINGS



Series	NP	ØT	Part N°	ØF	CH1	CH2	a	d3	L1	l1
L	315	6	MMC6-2L	1/8"	14	14	8	14	23	8.5
L	315	6	MMC6-4L	1/4"	19	14	12	18	24.5	10
L	315	6	MMC6-6L	3/8"	22	14	12	22	26	11.5
L	315	6	MMC6-8L	1/2"	27	14	14	26	26.5	12
L	315	8	MMC8-4L	1/4"	19	17	12	18	25	10
L	315	8	MMC8-2L	1/8"	14	17	8	14	24	9
L	315	8	MMC8-6L	3/8"	22	17	12	22	26.5	11.5
L	315	8	MMC8-8L	1/2"	27	17	14	26	27	12
L	315	10	MMC10-4L	1/4"	19	19	12	18	26	11
L	315	10	MMC10-2L	1/8"	17	19	8	14	25.5	10.5
L	315	10	MMC10-6L	3/8"	22	19	12	22	27.5	12.5
L	315	10	MMC10-8L	1/2"	27	19	14	26	28	13
L	315	12	MMC12-6L	3/8"	22	22	12	22	27	12.5
L	315	12	MMC12-4L	1/4"	19	22	12	18	26.5	12
L	315	12	MMC12-8L	1/2"	27	22	14	26	27.5	13
L	315	15	MMC15-8L	1/2"	27	27	14	26	29	14
L	315	15	MMC15-6L	3/8"	24	27	12	22	29	14
L	315	15	MMC15-12L	3/4"	32	27	16	32	30	15
L	315	18	MMC18-8L	1/2"	27	32	14	26	31	14.5
L	315	18	MMC18-6L	3/8"	27	32	12	22	30.5	14
L	315	18	MMC18-12L	3/4"	32	32	16	32	31	14.5
L	160	22	MMC22-12L	3/4"	32	36	16	32	33	16.5
L	160	22	MMC22-8L	1/2"	32	36	14	26	33	16.5
L	160	22	MMC22-16L	1"	41	36	18	39	34	17.5
L	160	28	MMC28-16L	1"	41	41	18	39	34	17.5
L	160	28	MMC28-12L	3/4"	41	41	16	32	34	17.5
L	160	35	MMC35-20L	1 1/4"	50	50	20	49	30	17.5
L	160	35	MMC35-16L	1"	50	50	18	39	40	18.5
L	160	42	MMC42-24L	1 1/2"	55	60	22	55	42	19

NOTE: THE BSP THREADS ARE ALL COUNTERSUNK 60°, SUITABLE FOR HOSE CONNECTION.

Part numbers indicated are for **Carbon Steel Couplings** only.

For **316 Stainless Steel Couplings**, add suffix **SS** to part number.