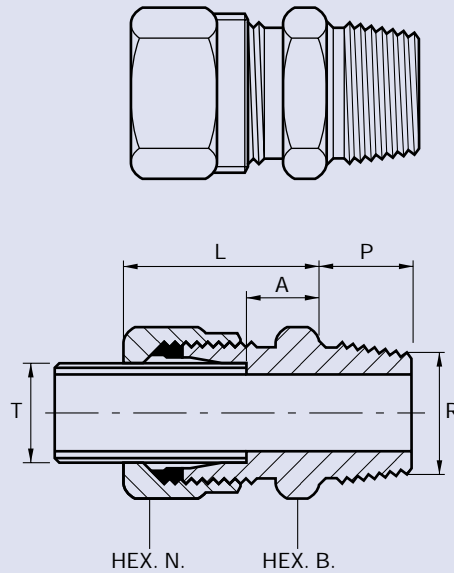


IMPERIAL BSP TAPER MALE STUD COUPLINGS

FOR O.D. TUBES



BSP TAPER MALE STUD COUPLINGS



Part No.	Tube Dia. T.	BSPT Thread R.	Nut Hexagon N.	Body Hexagon B.	Tube Abutment A.	Thread Length P.	O/A Length L.
MC4-2T	1/4"	1/8"	.710"	.625"	9/32"	3/8"	3 1/32"
MC4-4T	1/4"	1/4"	.710"	.625"	9/32"	7/16"	3 1/32"
MC4-6T	1/4"	3/8"	.710"	.710"	9/32"	1/2"	3 1/32"
MC5-4T	5/16"	1/4"	.710"	.710"	5/16"	7/16"	1"
MC6-4T	3/8"	1/4"	.820"	.710"	5/16"	7/16"	1 1/16"
MC6-6T	3/8"	3/8"	.820"	.710"	5/16"	1/2"	1 1/16"
MC6-8T	3/8"	1/2"	.820"	.920"	3/8"	5/8"	1 7/16"
MC8-4T	1/2"	1/4"	.920"	.820"	1 1/32"	7/16"	1 3/32"
MC8-6T	1/2"	3/8"	.920"	.820"	1 1/32"	1/2"	1 3/32"
MC8-8T	1/2"	1/2"	.920"	.920"	13/32"	5/8"	1 7/32"
MC10-8T	5/8"	1/2"	1.10"	.920"	3/8"	5/8"	1 5/32"
MC12-8T	3/4"	1/2"	1.20"	1.10"	7/16"	5/8"	1 1/4"
MC12-12T	3/4"	3/4"	1.20"	1.10"	7/16"	3/4"	1 1/4"
MC14-12T	7/8"	3/4"	1.375"	1.20"	1/2"	3/4"	1 3/8"
MC16-12T	1"	3/4"	1.67"	1.48"	19/32"	3/4"	1 17/32"
MC16-16T	1"	1"	1.67"	1.48"	19/32"	7/8"	1 17/32"
MC20-16T	1 1/4"	1"	2.05"	1.67"	3/4"	7/8"	1 3/4"
MC20-20T	1 1/4"	1 1/4"	2.05"	1.86"	3/4"	1"	1 3/4"
MC24-20T	1 1/2"	1 1/4"	2.22"	2.05"	13/16"	1"	1 7/8"
MC24-24T	1 1/2"	1 1/2"	2.22"	2.05"	13/16"	1"	1 7/8"

Part numbers indicated are for **Carbon Steel Couplings** only.

For **316 Stainless Steel Couplings**, add suffix **SS** to part number.