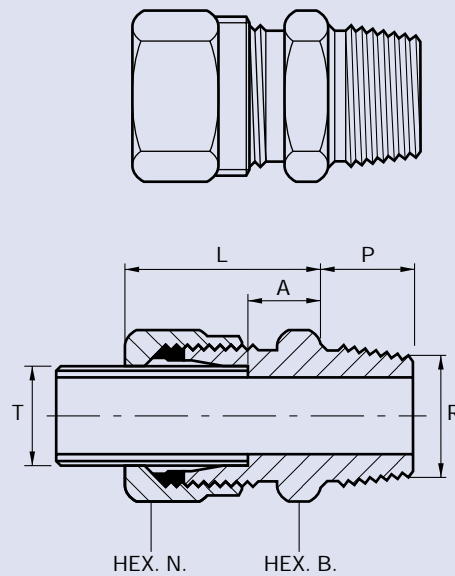


IMPERIAL BSP TAPER MALE STUD COUPLINGS

FOR N.B. TUBES

BETABITE
HYDRAULICS



BSP TAPER MALE STUD COUPLINGS

Part No.	N.B. Tube Size T.	BSPT Thread R.	Nut Hexagon N.	Body Hexagon B.	Tube Abutment A.	Thread Length P.	O/A Length L.
NMC4-4T	¼"	¼"	1.10"	.920"	¾"	⅞"	1⅜"
NMC4-6T	¼"	⅜"	1.10"	.920"	¾"	½"	1⅜"
NMC4-8T	¼"	½"	1.10"	.920"	¾"	⅝"	1⅜"
NMC6-4T	⅜"	¼"	1.20"	1.10"	⅞"	⅞"	1¼"
NMC6-6T	⅜"	⅜"	1.20"	1.10"	⅞"	½"	1¼"
NMC6-8T	⅜"	½"	1.20"	1.10"	⅞"	⅝"	1¼"
NMC8-8T	½"	½"	1.375"	1.20"	½"	⅝"	1⅜"
NMC8-12T	½"	¾"	1.375"	1.30"	½"	¾"	1⅜"
NMC12-12T	¾"	¾"	1.67"	1.48"	⅝"	¾"	1⅝"
NMC16-16T	1"	1"	2.05"	1.67"	¾"	⅞"	1¾"
NMC16-20T	1"	1¼"	2.05"	1.86"	1⅜"	1"	1⅜"
NMC20-16T	1¼"	1"	2.58"	2.22"	1⅝"	⅞"	2⅜"
NMC20-20T	1¼"	1¼"	2.58"	2.22"	1⅝"	1"	2⅜"
NMC20-21T	1¼"	1½"	2.58"	2.22"	1⅝"	1"	2⅜"
NMC24-24T	1½"	1½"	3.02"	2.58"	1⅝"	1"	2⅜"

Part numbers indicated are for **Carbon Steel Couplings** only.
For **316 Stainless Steel Couplings**, add suffix **SS** to part number.