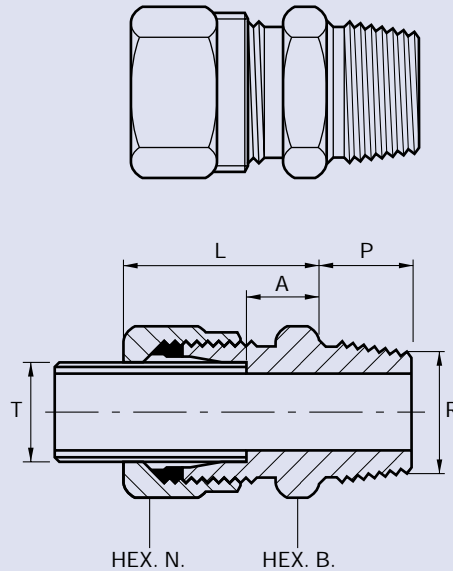


IMPERIAL NPT TAPER MALE STUD COUPLINGS

FOR O.D. TUBES



Part No.	Tube Dia. T.	NPT Thread R.	Nut Hexagon N.	Body Hexagon B.	Tube Abutment A.	Thread Length P.	O/A Length L.
MC4-2AT	¼"	⅛"	.710"	.625"	⅝"	13/32"	3 1/32"
MC4-4AT	¼"	¼"	.710"	.625"	⅝"	19/32"	3 1/32"
MC4-6AT	¼"	⅜"	.710"	.710"	⅝"	5/8"	3 1/32"
MC6-4AT	⅜"	¼"	.820"	.710"	⅝"	19/32"	1 1/16"
MC6-6AT	⅜"	⅜"	.820"	.710"	5/16"	5/8"	1 1/16"
MC6-8AT	⅜"	½"	.820"	.920"	⅜"	25/32"	1 3/32"
MC8-4AT	½"	¼"	.920"	.820"	1 1/32"	19/32"	1 3/32"
MC8-6AT	½"	⅜"	.920"	.820"	1 1/32"	5/8"	1 3/32"
MC8-8AT	½"	½"	.920"	.920"	1 3/32"	25/32"	1 5/32"
MC10-8AT	5/8"	½"	1.10"	.920"	3/8"	25/32"	1 5/32"
MC12-8AT	¾"	½"	1.20"	1.10"	7/16"	25/32"	1 1/4"
MC12-12AT	¾"	¾"	1.20"	1.10"	7/16"	13/16"	1 1/4"
MC16-12AT	1"	¾"	1.67"	1.48"	19/32"	13/16"	1 17/32"
MC16-16AT	1"	1"	1.67"	1.48"	19/32"	1"	1 17/32"
MC20-16AT	1 1/4"	1"	2.05"	1.67"	3/4"	1"	1 23/32"
MC20-20AT	1 1/4"	1 1/4"	2.05"	1.86"	13/16"	1"	1 25/32"
MC24-20AT	1 1/2"	1 1/4"	2.22"	2.05"	13/16"	1"	1 7/8"
MC24-24AT	1 1/2"	1 1/2"	2.22"	2.05"	13/16"	1 1/32"	1 7/8"

Part numbers indicated are for **Carbon Steel Couplings** only.
For **316 Stainless Steel Couplings**, add suffix **SS** to part number.