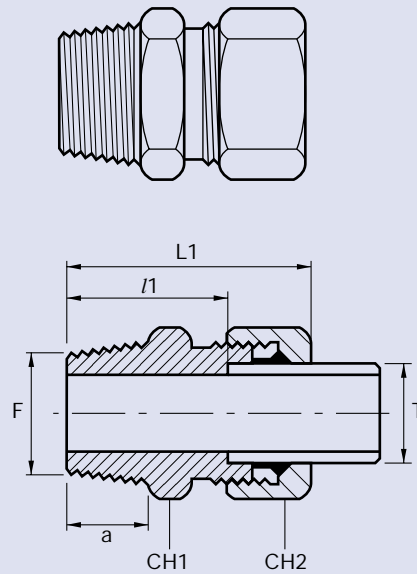


METRIC NPT MALE STUD COUPLINGS

THREAD: NPT B2.1 (ASA 1960)



Series	NP	ØT	Part N°	ØF	CH1	CH2	a	L1	l1
L	315	6	MMC 6-2ATL	1/8"	12	14	10	32	17
L	315	6	MMC6-4ATL	1/4"	17	14	15	38	23
L	315	6	MMC6-8ATL	1/2"	24	14	20	44	29
L	315	8	MMC8-4ATL	1/4"	17	17	15	38	23
L	315	8	MMC8-6ATL	3/8"	19	17	15.5	39	24
L	315	10	MMC10-4ATL	1/4"	17	19	15	39	24
L	315	10	MMC10-6ATL	3/8"	19	19	15.5	39.5	25
L	315	12	MMC12-6ATL	3/8"	19	22	15.5	40	25
L	315	12	MMC12-4ATL	1/4"	19	22	15	40	25
L	315	12	MMC12-8ATL	1/2"	24	22	20	45	30
L	315	15	MMC15-8ATL	1/2"	24	27	20	46	31
L	315	15	MMC15-6ATL	3/8"	24	27	15.5	41.5	26.5
L	315	18	MMC18-8ATL	1/2"	27	32	20	48	31.5
L	315	18	MMC18-12ATL	3/4"	32	32	20	48.5	32
L	160	22	MMC22-12ATL	3/4"	32	36	20	50	33.5
L	160	28	MMC28-16ATL	1"	41	41	25	56	39.5
L	160	35	MMC35-20ATL	1 1/4"	46	50	25.5	62	40.5
L	160	42	MMC42-24ATL	1 1/2"	55	60	26	65	42
S	630	6	MMC6-4AT	1/4"	17	17	15	43	28
S	630	8	MMC8-4AT	1/4"	17	19	15	43	28
S	630	10	MMC10-6AT	3/8"	19	22	15.5	44	27.5
S	630	12	MMC12-6AT	3/8"	22	24	15.5	46	29.5
S	630	12	MMC12-8AT	1/2"	24	24	20	51	34.5
S	630	14	MMC14-8AT	1/2"	24	27	20	54	36
S	400	16	MMC16-8AT	1/2"	27	30	20	54	35.5
S	400	20	MMC20-12AT	3/4"	32	36	20	59	37.5
S	400	25	MMC25-16AT	1"	41	46	25	69	45
S	400	30	MMC30-20AT	1 1/4"	46	50	25.5	73	46.5
S	400	30	MMC30-16AT	1"	46	50	25	66.5	40
S	315	38	MMC38-24AT	1 1/2"	55	60	26	80	49

Part numbers indicated are for **Carbon Steel Couplings** only.

For **316 Stainless Steel Couplings**, add suffix **SS** to part number.