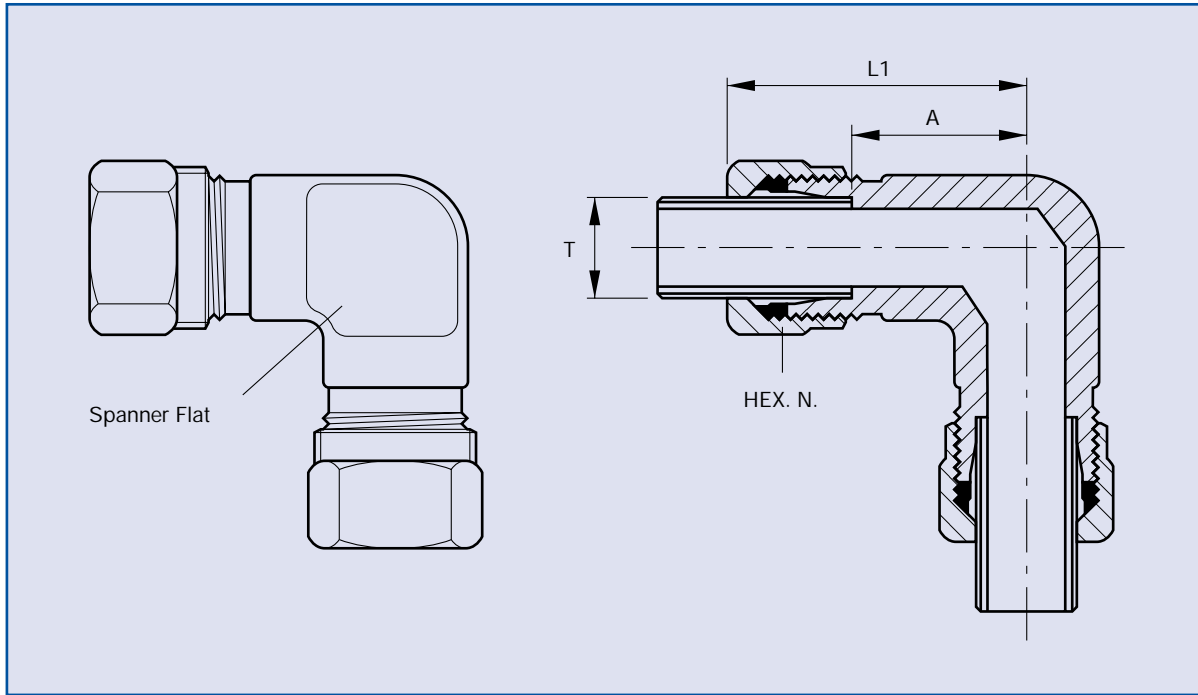


IMPERIAL EQUAL ELBOWS

FOR O.D. & N.B. TUBES



EQUAL ELBOWS

O.D. TUBES

Part No.	Tube Dia. T.	Nut Hexagon N.	A/F Spanner Flat	Tube Abutment A.	O/A Length L.
E4	1/4"	.710"	.468"	21/32"	1 3/8"
E5	5/16"	.710"	.600"	23/32"	1 7/16"
E6	3/8"	.820"	.600"	13/16"	1 17/32"
E8	1/2"	.920"	.710"	31/32"	1 23/32"
E10	5/8"	1.10"	.820"	1 1/16"	1 27/32"
E12	3/4"	1.20"	1.10"	1 5/16"	2 1/8"
E14	7/8"	1.375"	1.10"	1 7/16"	2 9/16"
E16	1"	1.67"	1.30"	1 9/32"	2 17/32"
E20	1 1/4"	2.05"	1.56"	1 15/16"	2 29/32"
E24	1 1/2"	2.22"	1.80"	1 15/16"	3 3/8"

N.B. TUBES

Part No.	N.B. Tube Size T.	Nut Hexagon N.	A/F Spanner Flat	Tube Abutment A.	O/A Length L.
NE2	1/8"	.820"	.710"	27/32"	1 19/32"
NE4	1/4"	1.10"	.820"	1 1/16"	1 27/32"
NE6	3/8"	1.20"	1.062"	1 5/16"	2 1/8"
NE8	1/2"	1.375"	1.062"	1 7/16"	2 3/16"
NE12	3/4"	1.67"	1.312"	1 5/8"	2 5/8"
NE16	1"	2.05"	1.56"	1 15/16"	2 29/32"
NE20	1 1/4"	2.58"	2.31"	2 7/16"	3 17/32"
NE24	1 1/2"	3.02"	2.31"	2 1/16"	3 7/8"

Part numbers indicated are for **Carbon Steel Couplings** only.
For **316 Stainless Steel Couplings**, add suffix **SS** to part number.