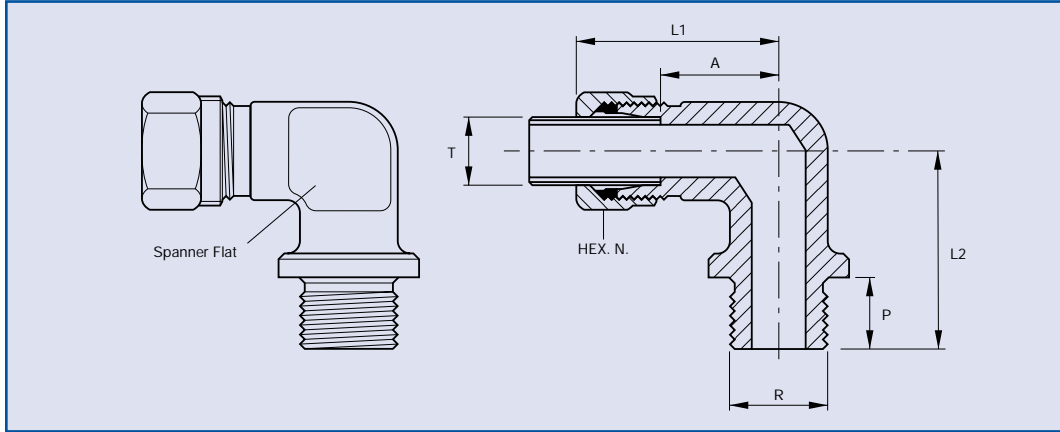


IMPERIAL BSP PARALLEL MALE STUD ELBOWS

FOR O.D. & N.B. TUBES



O.D. TUBES

Part No.	Tube Dia. T.	BSP Thread R.	Nut Hexagon N.	A/F Spanner Flat	Tube Abutment A.	Thread Length P.	Overall Length L1.	Overall Length L2.
ME4-2	1/4"	1/8"	.710"	.468"	1 1/6"	3/8"	1 3/8"	1 1/2"
ME4-4	1/4"	1/4"	.710"	.600"	2 5/16"	7/16"	1 15/32"	1 3/16"
ME5-4	5/16"	1/4"	.710"	.600"	1 3/16"	7/16"	1 1/2"	1 3/16"
ME6-4	3/8"	1/4"	.820"	.600"	1 3/16"	7/16"	1 17/32"	1 3/16"
ME6-6	3/8"	3/8"	.820"	.710"	1 1/6"	1/2"	1 25/32"	1 1/2"
ME8-6	1/2"	3/8"	.920"	.710"	1 3/32"	1/2"	1 27/32"	1 1/2"
ME8-8	1/2"	1/2"	.920"	.820"	1 11/32"	5/8"	2 3/32"	1 7/8"
ME10-8	5/8"	1/2"	1.10"	.820"	1 5/16"	5/8"	2 3/32"	1 7/8"
ME12-8	3/4"	1/2"	1.20"	1.10"	1 5/8"	5/8"	2 1/8"	1 7/8"
ME12-12	3/4"	3/4"	1.20"	1.10"	1 1/6"	3/4"	2 3/8"	2 1/4"
ME14-12	7/8"	3/4"	1.375"	1.10"	1 15/32"	3/4"	2 11/32"	2"
ME16-12	1"	3/4"	1.67"	1.30"	1 19/32"	3/4"	2 17/32"	2 1/4"
ME16-16	1"	1"	1.67"	1.56"	1 27/32"	7/8"	2 25/32"	2 5/8"
ME20-16	1 1/4"	1"	2.05"	1.56"	1 15/16"	7/8"	2 29/32"	2 5/8"
ME20-20	1 1/4"	1 1/4"	2.05"	1.80"	2 5/16"	1"	3 1/32"	3"
ME24-24	1 1/2"	1 1/2"	2.22"	1.80"	2 3/8"	1"	3 1/6"	3"

N.B. TUBES

Part No.	N.B. Tube Size T.	BSP Thread R.	Nut Hexagon N.	A/F Spanner Flat	Tube Abutment A.	Thread Length P.	Overall Length L1.	Overall Length L2.
NME2-2	1/8"	1/8"	.820"	.600"	2 7/32"	3/8"	1 19/32"	1 1/8"
NME2-4	1/8"	1/4"	.820"	.600"	2 7/32"	7/16"	1 19/32"	1 3/16"
NME4-4	1/4"	1/4"	1.10"	.820"	1 1/6"	7/16"	1 27/32"	1 7/16"
NME4-6	1/4"	3/8"	1.10"	.820"	1 1/6"	1/2"	1 27/32"	1 1/2"
NME6-6	3/8"	3/8"	1.20"	.820"	1 5/16"	1/2"	2 1/8"	1 3/4"
NME6-8	3/8"	1/2"	1.20"	.820"	1 5/16"	5/8"	2 1/8"	1 7/8"
NME8-4	1/2"	1/4"	1.375"	1.06"	1 7/16"	7/16"	2 5/16"	1 13/16"
NME8-8	1/2"	1/2"	1.375"	1.06"	1 1/6"	5/8"	2 5/16"	2"
NME8-12	1/2"	3/4"	1.375"	1.06"	1 1/6"	3/4"	2 1/6"	2 1/4"
NME12-12	3/4"	3/4"	1.67"	1.31"	1 5/8"	3/4"	2 5/8"	2 1/4"
NME12-16	3/4"	1"	1.67"	1.56"	1 27/32"	7/8"	2 27/32"	2 5/16"
NME16-8	1"	1/2"	2.05"	1.56"	1 15/16"	5/8"	2 29/32"	2 3/8"
NME16-16	1"	1"	2.05"	1.56"	1 15/16"	7/8"	2 29/32"	2 5/8"
NME16-20	1"	1 1/4"	2.05"	1.81"	2 5/16"	1"	3 1/32"	3"
NME20-20	1 1/4"	1 1/4"	2.58"	2.31"	2 7/16"	1"	3 11/32"	3"
NME20-24	1 1/4"	1 1/2"	2.58"	2.31"	2 7/16"	1"	3 11/32"	3"
NME24-24	1 1/2"	1 1/2"	3.02"	2.31"	2 11/16"	1"	3 7/8"	3 7/16"

Part numbers indicated are for Carbon Steel Couplings only.

For 316 Stainless Steel Couplings, add suffix SS to part number.