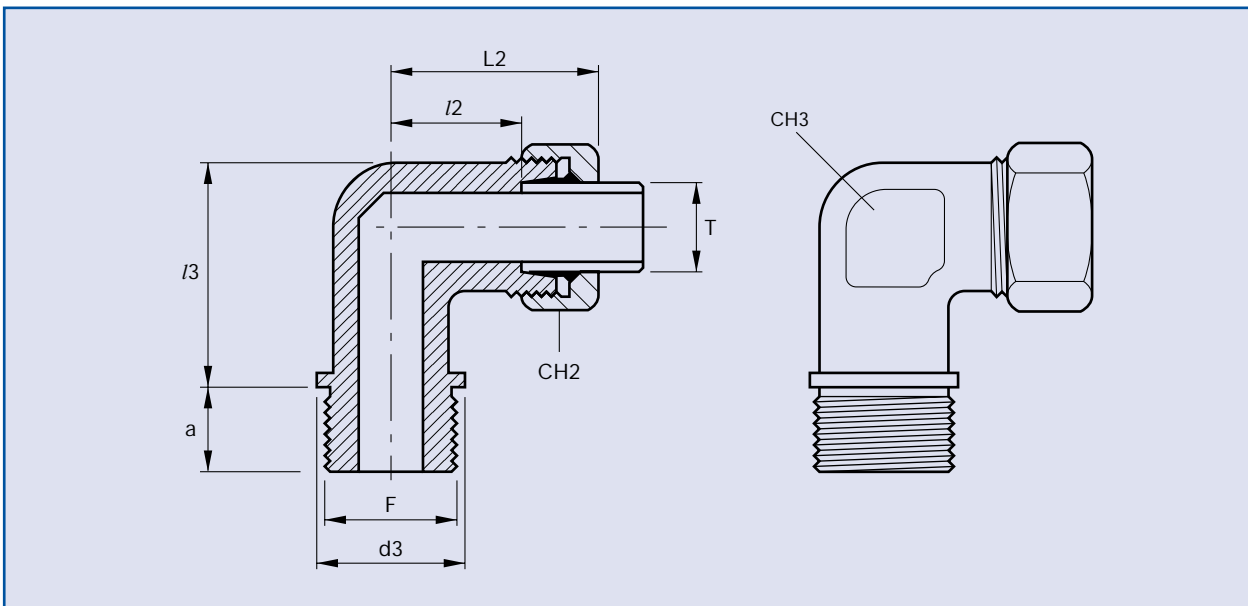


METRIC BSP MALE STUD ELBOWS

THREAD: BSP CYLINDRICAL (UNI ISO 228)



BSP MALE STUD ELBOWS



Series	NP	ØT	Part N°	ØF	CH2	CH3	a	d3	L2	l2	l3
L	160	22	MME22-12L	3/4" G	27	36	16	32	44	27.5	26
L	160	28	MME28-16L	1" G	36	41	18	39	47	30.5	30
L	160	35	MME35-20L	1 1/4" G	41	50	20	49	56	34.5	34
L	160	42	MME42-24L	1 1/2" G	50	60	22	55	63	40	39
S	400	20	MME20-12	3/4" G	27	36	16	32	48	26.5	26
S	400	25	MME25-16	1" G	36	41	18	39	54	30	30
S	250	30	MME30-20	1 1/4" G	41	50	20	49	62	35.5	34
S	250	38	MME38-24	1 1/2" G	50	60	22	55	72	41	39

Please Note-other sizes available on request, speak with our technical sales department for assistance.

Part numbers indicated are for **Carbon Steel Couplings** only.
For **316 Stainless Steel Couplings**, add suffix **SS** to part number.