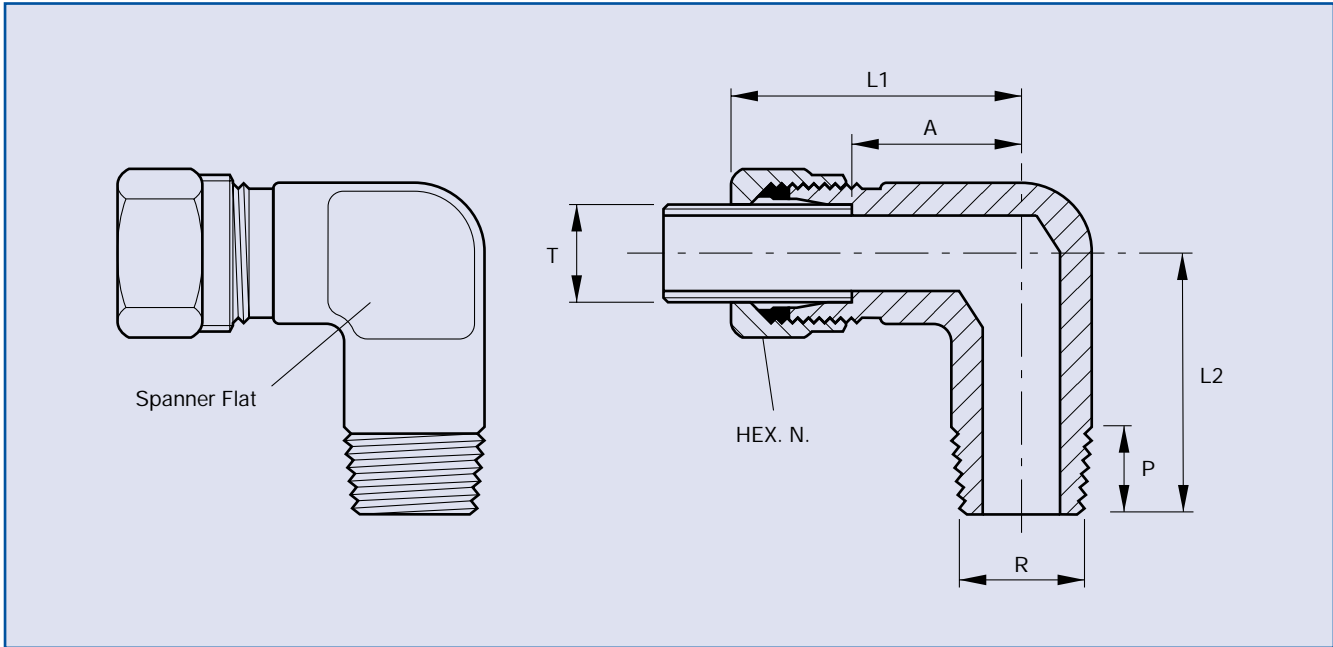


IMPERIAL BSP TAPER MALE STUD ELBOWS

FOR O.D. & N.B. TUBES



BSP TAPER MALE STUD ELBOWS

Part No.	Tube Dia. T.	BSPT Thread R.	Nut Hexagon N.	A/F Spanner Flat	Tube Abutment A.	Length Thread P.	Overall Length	
							L1.	L2.
ME4-2T	1/4"	1/8"	.710"	.468"	1 1/6"	3/8"	1 3/8"	1 1/2"
ME4-4T	1/4"	1/4"	.710"	.468"	1 1/6"	7/16"	1 1/2"	1 3/2"
ME6-4T	3/8"	1/4"	.820"	.600"	1 3/6"	7/16"	1 7/32"	1 3/4"
ME6-6T	3/8"	3/8"	.820"	.600"	1 3/6"	1/2"	1 7/32"	1 1/4"
ME8-6T	1/2"	3/8"	.920"	.710"	1 3/2"	1/2"	1 7/32"	1 3/8"
ME8-8T	1/2"	1/2"	.920"	.710"	1 3/2"	5/8"	1 7/32"	1 1/2"
ME10-8T	5/8"	1/2"	1.10"	.820"	1 1 1/2"	5/8"	2 3/32"	1 5/8"
ME12-8T	3/4"	1/2"	1.20"	1.10"	1 5/6"	5/8"	2 1/8"	1 5/8"
ME12-12T	3/4"	3/4"	1.20"	1.10"	1 5/6"	3/4"	2 1/8"	1 3/4"
ME16-12T	1"	3/4"	1.67"	1.30"	1 1 1/2"	3/4"	2 1 1/2"	2"
ME16-16T	1"	1"	1.67"	1.30"	1 1 1/2"	7/8"	2 1 1/2"	2 1/8"
ME20-16T	1 1/4"	1"	2.05"	1.56"	1 1 5/6"	7/8"	2 2 3/32"	2 1/4"
ME20-20T	1 1/4"	1 1/4"	2.05"	1.56"	1 1 5/6"	1"	2 7/8"	2 3/8"
ME24-24T	1 1/2"	1 1/2"	2.22"	1.80"	2 5/6"	1"	3 3/8"	2 3/4"

Part No.	N.B. Tube Size T.	BSPT Thread R.	Nut Hexagon N.	A/F Spanner Flat	Tube Abutment A.	Thread Length P.	Overall Length	
							L1.	L2.
NME2-4T	1/8"	1/4"	.820"	.600"	2 7/32"	7/16"	1 1 1/2"	1 3/16"
NME4-4T	1/4"	1/4"	1.10"	.820"	1 1/6"	7/16"	1 2 7/32"	1 1/2"
NME4-6T	1/4"	1/8"	1.10"	.820"	1 1/6"	1/2"	1 2 7/32"	1 1/6"
NME6-6T	3/8"	3/8"	1.20"	1.06"	1 1/6"	1/2"	2 1/8"	1 1/2"
NME8-8T	1/2"	1/2"	1.375"	1.06"	1 1/6"	5/8"	2 5/16"	1 5/8"
NME12-12T	3/4"	3/4"	1.67"	1.31"	1 5/6"	3/4"	2 5/8"	2"
NME16-16T	1"	1"	2.05"	1.56"	1 1 5/6"	7/8"	2 2 3/32"	2 1/4"
NME20-20T	1 1/4"	1 1/4"	2.58"	2.31"	2 7/16"	1"	3 1 1/2"	3 1/4"
NME24-24T	1 1/2"	1 1/2"	3.02"	2.31"	2 1 1/6"	1"	3 3/8"	3 1/4"

Part numbers indicated are for **Carbon Steel Couplings** only.
For **316 Stainless Steel Couplings**, add suffix **SS** to part number.