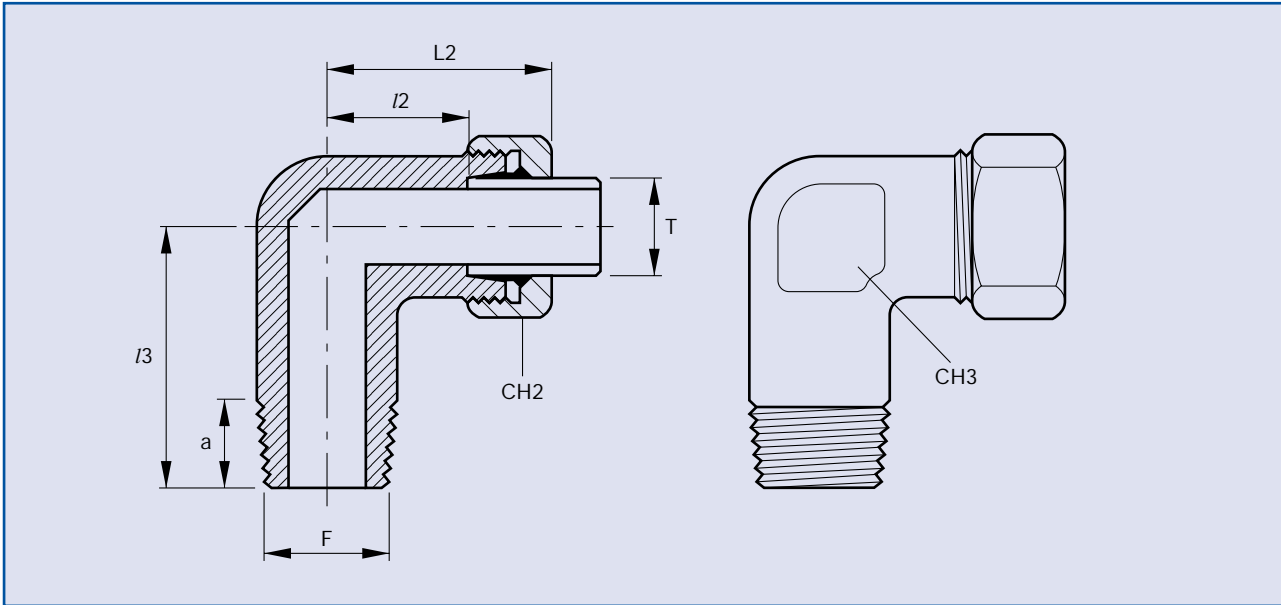


# METRIC BSP TAPER MALE STUD ELBOWS

THREAD: BSP TAPERED (DIN 3858)



BSP TAPER MALE STUD ELBOWS



Series	NP	ØT	Part N°	ØF	CH3	CH2	a	L2	l2	l3
L	315	6	MME6-2TL	1/8" GC	12	14	8	27	12	20
L	315	6	MME6-4TL	1/4" GC	12	17	12	29	14	26
L	315	8	MME8-4TL	1/4" GC	12	17	12	29	14	26
L	315	8	MME8-2TL	1/8" GC	12	17	8	29	14	26
L	315	8	MME8-6TL	3/8" GC	17	17	12	34	19	28
L	315	10	MME10-4TL	1/4" GC	14	19	12	30	15	27
L	315	10	MME10-6TL	3/8" GC	17	19	12	32	17	28
L	315	10	MME10-8TL	1/2" GC	19	19	14	38	23	34
L	315	12	MME12-4TL	1/4" GC	17	22	12	32	17	28
L	315	12	MME12-6TL	3/8" GC	17	22	12	32	17	28
L	315	12	MME12-8TL	1/2" GC	19	22	14	38	23	34
L	315	15	MME15-6TL	3/8" GC	19	27	14	36	21	34
L	315	15	MME15-8TL	1/2" Gc	19	27	12	36	21	34
L	315	18	MME18-8TL	1/2" Gc	24	32	14	40	23.5	36
L	160	22	MME22-12TL	3/4" GC	27	36	16	44	27.5	42
L	160	28	MME28-16TL	1" GC	36	41	18	47	30.5	48
L	160	35	MME35-20TL	1 1/4" GC	41	50	20	56	34.5	54
L	160	42	MME42-24TL	1 1/2" GC	50	60	22	63	40	61
S	630	6	MME6-4T	1/4" GC	12	17	12	31	16	26
S	630	8	MME8-4T	1/4" GC	17	19	12	32	17	27
S	630	10	MME10-6T	3/8" GC	17	22	12	34	17.5	28
S	630	12	MME12-6T	3/8" GC	17	24	12	38	21.5	28
S	630	12	MME12-8T	1/2" GC	19	24	14	40	23.5	34
S	630	14	MME14-8T	1/2" GC	19	27	14	40	22	32
S	400	16	MME16-8T	1/2" GC	24	30	14	43	24.5	32
S	400	20	MME20-12T	3/4" GC	27	36	16	48	26.5	42
S	400	25	MME25-16T	1" GC	36	41	18	54	30	48
S	250	30	MME30-20T	1 1/4" GC	41	50	20	62	35.5	54
S	250	38	MME38-24T	1 1/2" GC	50	60	22	64	41	61

Part numbers indicated are for Carbon Steel Couplings only.

For 316 Stainless Steel Couplings, add suffix SS to part number.