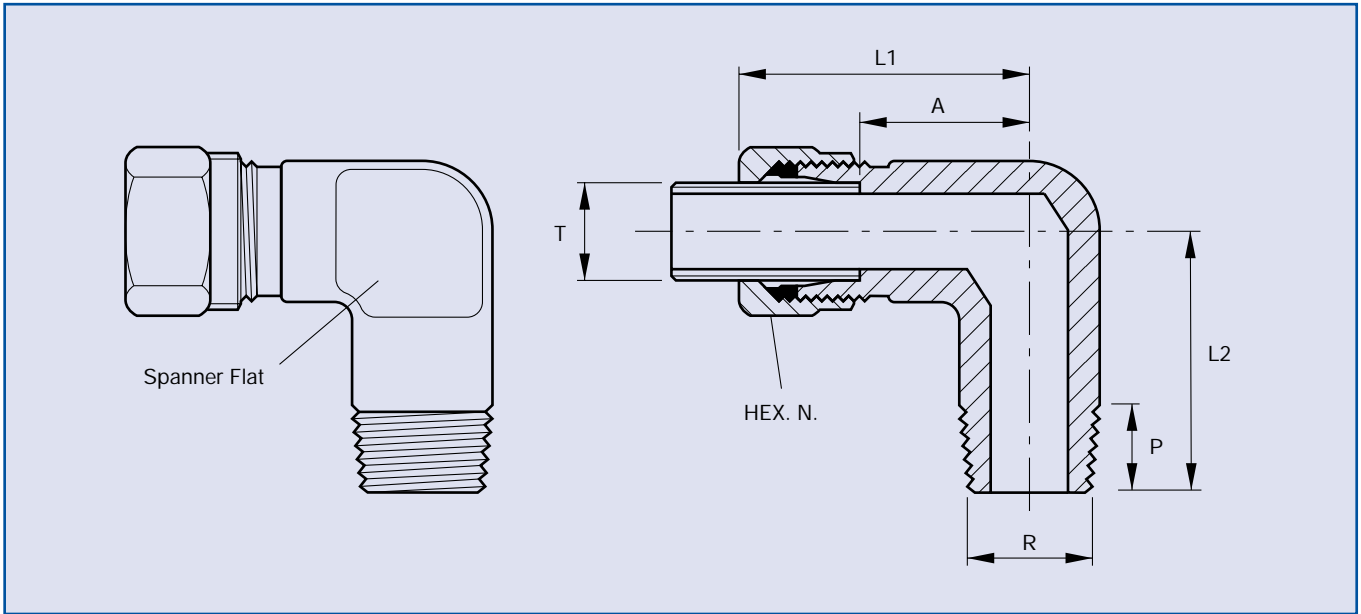


IMPERIAL NPT TAPER MALE STUD ELBOWS

FOR O.D. TUBES



NPT TAPER MALE STUD ELBOWS

Part No.	Tube Dia. T.	NPT Thread R.	Nut Hexagon N.	A/F Spanner Flat	Tube Abutment A.	Length Thread P.	Overall Length	
							L1.	L2.
ME4-2AT	1/4"	1/8"	.710"	.468"	1 1/16"	1 3/32"	1 3/8"	1 1/16"
ME4-4AT	1/4"	1/4"	.710"	.468"	1 1/16"	1 9/32"	1 1/2"	1 3/4"
ME5-4AT	5/16"	1/4"	.710"	.600"	1 3/16"	1 9/32"	1 1/2"	1 11/32"
ME6-4AT	3/8"	1/4"	.820"	.600"	1 3/16"	1 9/32"	1 17/32"	1 11/32"
ME6-6AT	3/8"	3/8"	.820"	.600"	1 3/16"	5/8"	1 17/32"	1 3/8"
ME8-6AT	1/2"	3/8"	.920"	.710"	1 3/8"	5/8"	1 27/32"	1 1/2"
ME8-8AT	1/2"	1/2"	.920"	.710"	1 3/8"	25/32"	1 27/32"	1 21/32"
ME10-8AT	5/8"	1/2"	1.10"	.820"	1 11/32"	25/32"	2 7/32"	1 25/32"
ME12-8AT	3/4"	1/2"	1.20"	1.10"	1 5/8"	25/32"	2 1/8"	1 25/32"
ME12-12AT	3/4"	3/4"	1.20"	1.10"	1 5/8"	1 3/16"	2 1/8"	1 3 1/16"
ME16-12AT	1"	3/4"	1.67"	1.30"	1 9/16"	1 3/16"	2 17/32"	2 1/16"
ME16-16AT	1"	1"	1.67"	1.30"	1 9/16"	1"	2 17/32"	2 1/4"
ME20-16AT	1 1/4"	1"	2.05"	1.56"	1 5/8"	1"	2 29/32"	2 3/8"
ME20-20AT	1 1/4"	1 1/4"	2.05"	1.56"	1 5/8"	1"	2 7/8"	2 3/8"
ME24-20AT	1 1/2"	1 1/4"	2.22"	1.80"	2 3/16"	1"	3 3/8"	2 3/4"
ME24-24AT	1 1/2"	1 1/2"	2.22"	1.80"	2 5/16"	1 1/32"	3 3/8"	2 25/32"

Part numbers indicated are for **Carbon Steel Couplings** only.
For **316 Stainless Steel Couplings**, add suffix **SS** to part number.