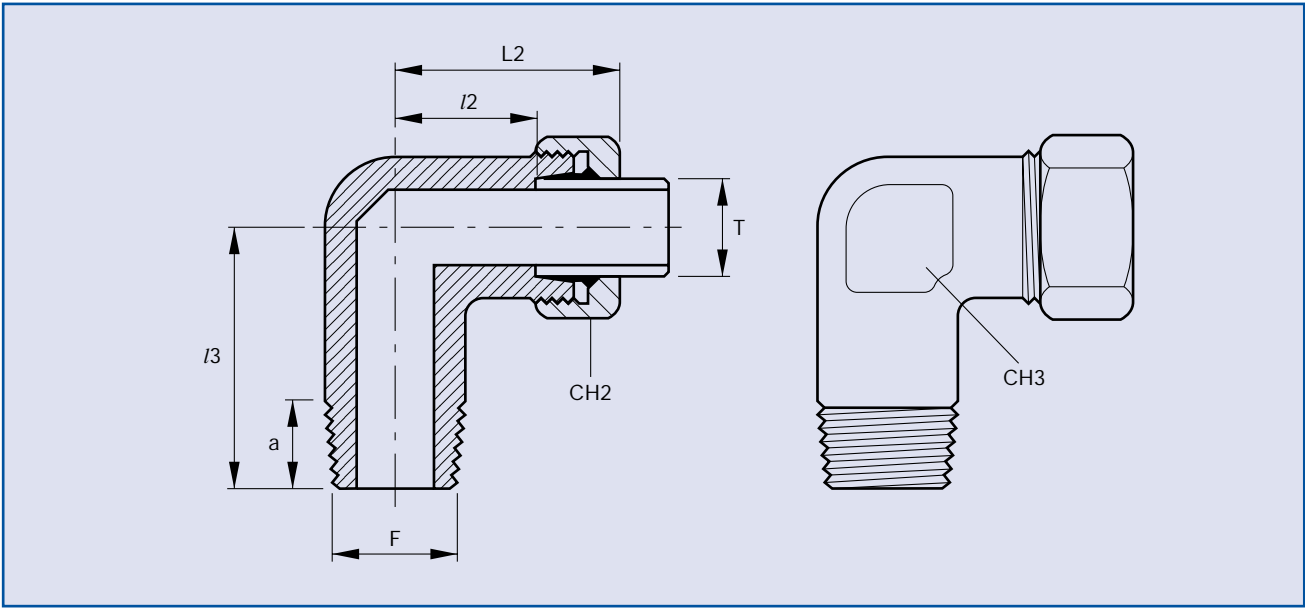


# METRIC NPT MALE STUD ELBOWS

THREAD: NPT (ASA B2.1 – 1960)



NPT TAPER MALE STUD ELBOWS



Series	NP	ØT	Part N°	ØF	CH3	CH2	a	L2	l2	l3
L	315	6	MME6-2ATL	1/8" NPT	12	14	10	27	12	20
L	315	6	MME6-4ATL	1/4" NPT	12	14	15	29	14	26
L	315	6	MME6-8ATL	1/2" NPT	19	14	20	38	23	34
L	315	8	MME8-4ATL	1/4" NPT	12	17	15	29	14	26
L	315	10	MME10-4ATL	1/4" NPT	14	19	15	30	15	27
L	315	12	MME12-6ATL	3/8" NPT	17	22	15.5	32	17	28
L	315	12	MME12-4ATL	1/4" NPT	17	22	15	32	17	28
L	315	12	MME12-8ATL	1/2" NPT	19	22	20	38	23	34
L	315	15	MME15-8ATL	1/2" NPT	19	27	20	36	21	34
L	315	18	MME18-8ATL	1/2" NPT	24	32	20	40	23.5	36
L	160	22	MME22-12ATL	3/4" NPT	27	36	20	44	27.5	42
L	160	28	MME28-16ATL	1" NPT	36	41	25	47	30.5	48
L	160	35	MME35-20ATL	1 1/4" NPT	41	50	25.5	56	34.5	54
L	160	42	MME42-24ATL	1 1/2" NPT	50	60	26	63	40	61
S	630	6	MME6-4AT	1/4" NPT	12	17	15	31	16	26
S	630	8	MME8-4AT	1/4" NPT	14	19	15	32	17	27
S	630	10	MME10-6AT	3/8" NPT	17	22	15.5	34	17.5	28
S	630	12	MME12-6AT	3/8" NPT	17	24	15.5	38	21.5	28
S	630	14	MME14-8AT	1/2" NPT	19	27	20	40	22	34
S	400	16	MME16-8AT	1/2" NPT	24	30	20	43	24.5	36
S	400	20	MME20-12AT	3/4" NPT	27	36	20	48	26.5	42
S	400	25	MME25-16AT	1" NPT	36	46	25	54	30	48
S	400	30	MME30-20AT	1 1/4" NPT	41	50	25.5	62	35.5	54
S	315	38	MME38-24AT	1 1/2" NPT	50	60	26	72	41	61

Part numbers indicated are for **Carbon Steel Couplings** only.

For **316 Stainless Steel Couplings**, add suffix **SS** to part number.