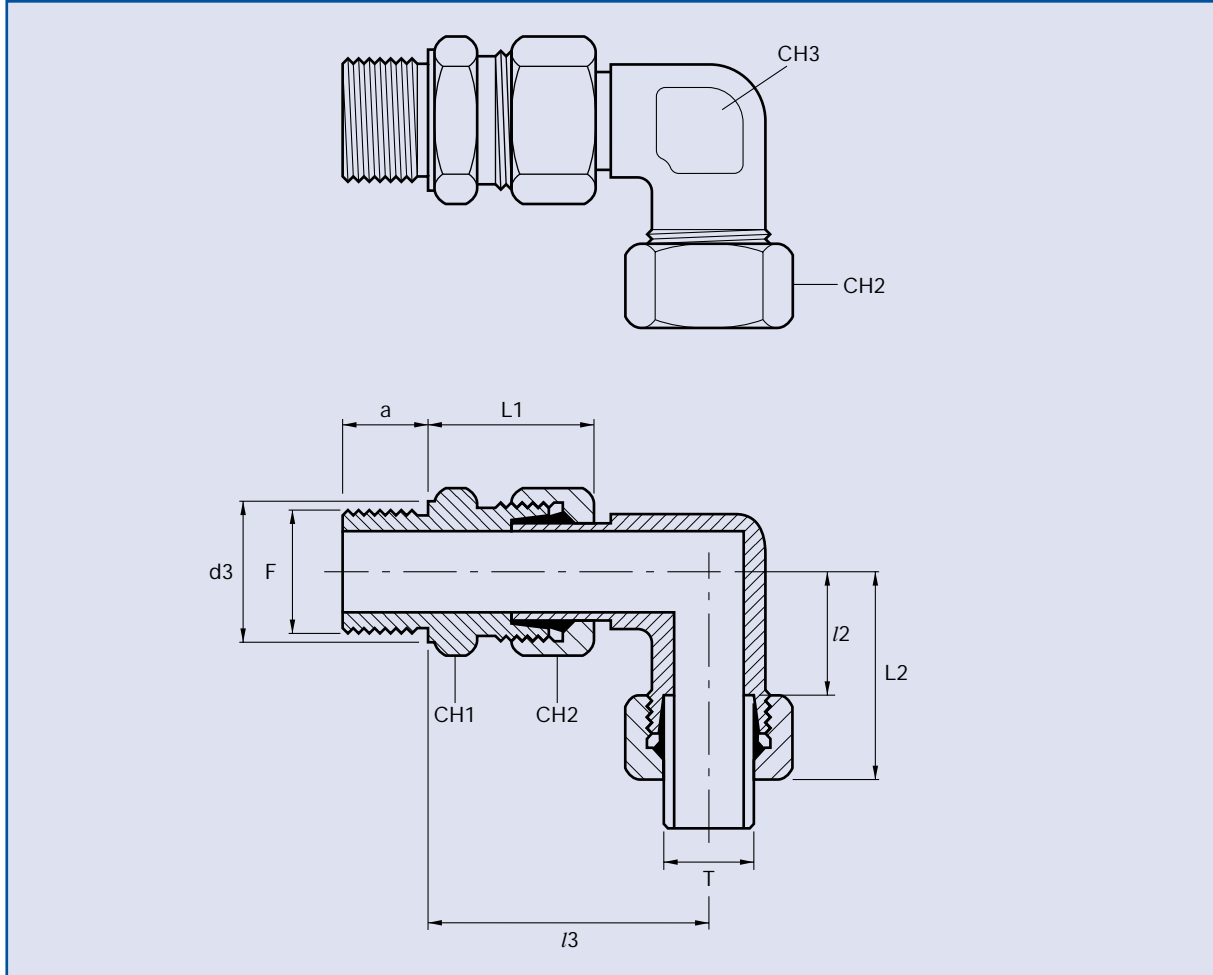


# METRIC SWIVEL ELBOWS

THREAD: BSP CYLINDRICAL (UNI ISO 228)  
COMPLETE ASSEMBLY



SWIVEL ELBOWS



Series	NP	ØT	Part N°	ØF	CH1	CH3	CH2	a	Ød3	L2	/2	/3	L1
L	315	6	MSE6-2L	1/8"	14	12	14	8	14	27	12	34.5	23
L	315	8	MSE8-4L	1/4"	19	12	17	12	18	29	14	37	25
L	315	10	MSE10-4L	1/4"	19	14	19	12	18	30	15	39.5	26
L	315	12	MSE12-6L	3/8"	22	17	22	12	22	32	17	41.5	27
L	315	15	MSE15-8L	1/2"	27	19	27	14	26	36	21	46	29
L	315	18	MSE18-8L	1/2"	27	24	32	14	26	40	23.5	49.5	31
L	160	22	MSE22-12L	3/4"	32	27	36	16	32	44	27.5	54.5	33
L	160	28	MSE28-16L	1"	41	36	41	18	39	47	30.5	59	34
L	160	35	MSE35-20L	1 1/4"	50	41	50	20	49	56	34.5	68.5	39
L	160	42	MSE42-24L	1 1/2"	55	50	60	22	55	63	40	75	42
S	630	6	MSE6-4	1/4"	19	12	17	12	18	31	16	40	28
S	630	8	MSE8-4	1/4"	19	14	19	12	18	32	17	42	30
S	630	10	MSE10-6	3/8"	22	17	22	12	22	34	17.5	44.5	31
S	630	12	MSE12-6	3/8"	22	17	24	12	22	38	21.5	47.5	33
S	630	14	MSE14-8	1/2"	27	19	27	14	26	40	22	53.5	37
S	400	16	MSE16-8	1/2"	27	22	30	14	26	43	24.5	54.5	37
S	400	20	MSE20-12	3/4"	32	27	36	16	32	48	26.5	64.5	42
S	400	25	MSE25-16	1"	41	36	46	18	39	54	30	72.5	47
S	250	30	MSE30-20	1 1/4"	50	41	50	20	49	62	35.5	78.5	50
S	250	38	MSE38-24	1 1/2"	55	50	60	22	55	72	41	89	57

Part numbers indicated are for **Carbon Steel Couplings** only.

For **316 Stainless Steel Couplings**, add suffix **SS** to part number.