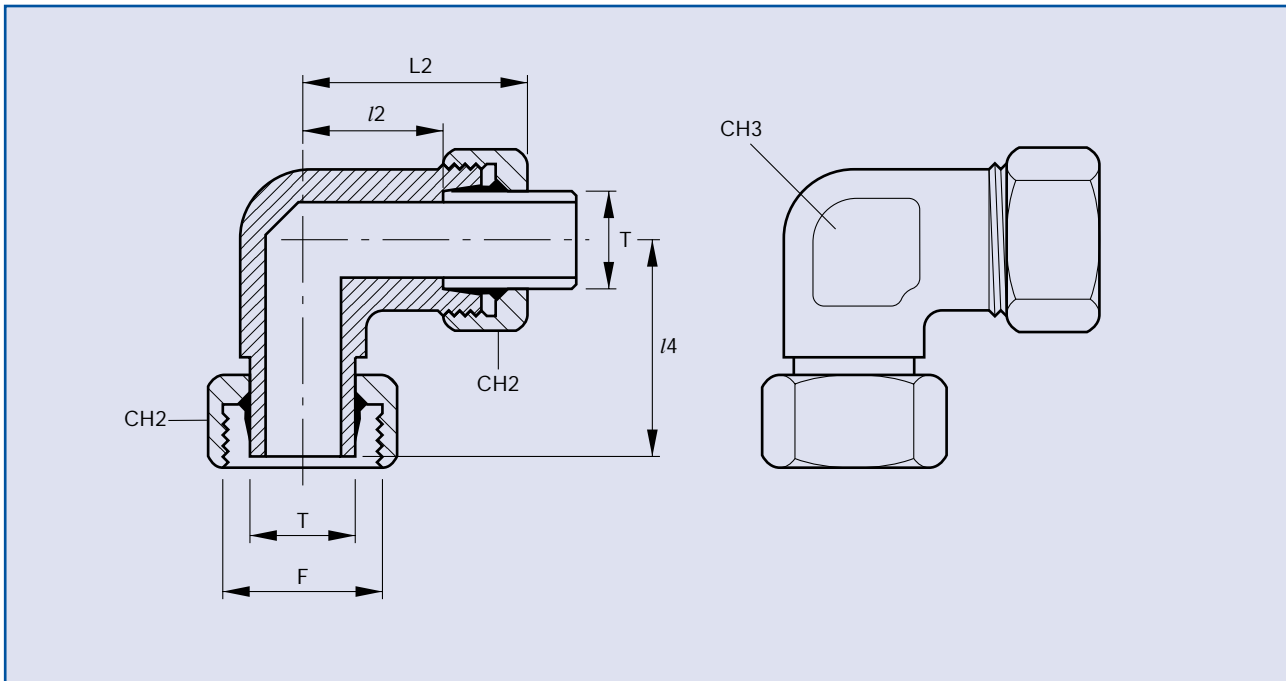


# METRIC SWIVEL ELBOWS

## CAPTIVE NUT TYPE



SWIVEL ELBOWS

Series	NP	ØT	Part N°	ØF	CH3	CH2	l4	Øb	L2	l2
L	315	6	MSE6L	M12 x1.5	12	14	26	6	27	12
L	315	8	MSE8L	M14 x1.5	12	17	27	8	29	14
L	315	10	MSE10L	M16 x1.5	14	19	28.5	10	30	15
L	315	12	MSE12L	M18 x1.5	17	22	29	12	32	17
L	315	15	MSE15L	M22 x1.5	19	27	32	15	36	21
L	315	18	MSE18L	M26 x1.5	24	32	35	18	40	23.5
L	160	22	MSE22L	M30 x 2	27	36	38	22	44	27.5
L	160	28	MSE28L	M36 x 2	36	41	41.5	28	47	30.5
L	160	35	MSE35L	M45 x 2	41	50	51	35	56	34.5
L	160	42	MSE42L	M52 x 2	50	60	56	42	63	40
S	630	6	MSE6	M14 x 1.5	12	17	27	6	31	16
S	630	8	MSE8	M16 x 1.5	14	19	27	8	32	17
S	630	10	MSE10	M18 x 1.5	17	22	29.5	10	34	17.5
S	630	12	MSE12	M20 x 1.5	17	24	30.5	12	38	21.5
S	630	14	MSE14	M22 x 1.5	19	27	34.5	14	40	22
S	400	16	MSE16	M24 x 1.5	24	30	36	16	43	24.5
S	400	20	MSE20	M30 x 2	27	36	44	20	48	26.5
S	400	25	MSE25	M36 x 2	36	46	49.5	25	54	30
S	400	30	MSE30	M42 x 2	41	50	55	30	62	35.5
S	315	38	MSE38	M52 x 2	50	60	63	38	72	41

Part numbers indicated are for **Carbon Steel Couplings** only.  
 For **316 Stainless Steel Couplings**, add suffix **SS** to part number.