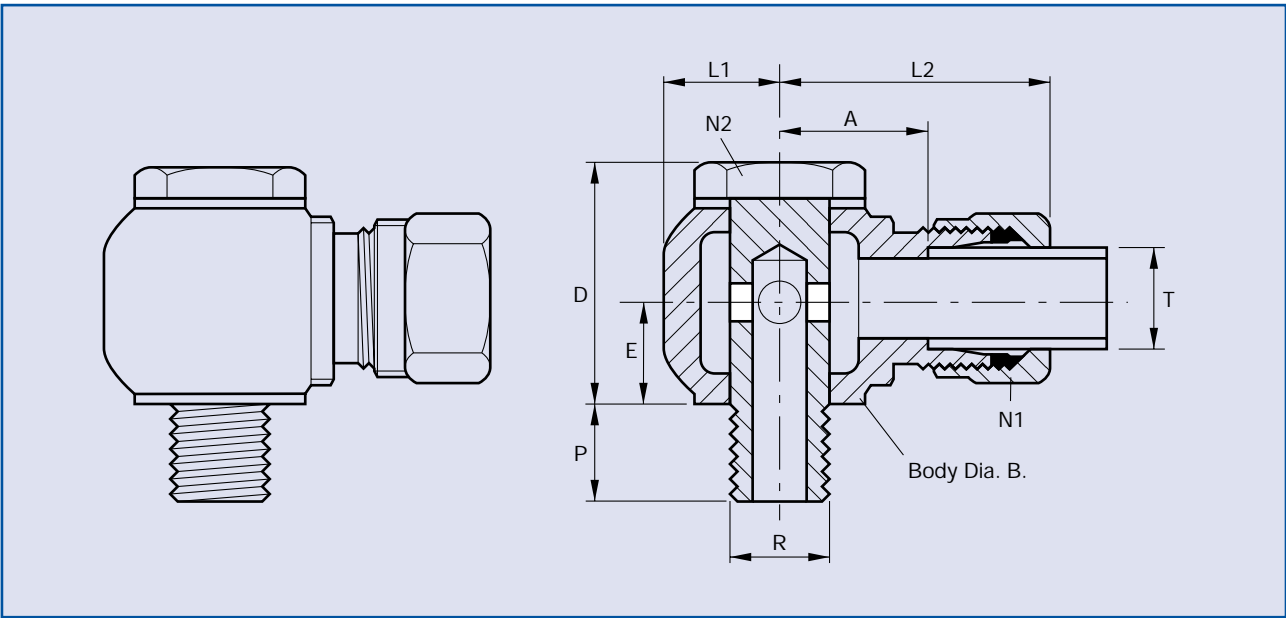


# IMPERIAL BANJO COUPLINGS

FOR O.D. & N.B. TUBES



BANJO COUPLINGS



## O.D. TUBES

Part No.	Tube Dia. T.	BSP Thread R.	Nut Hex. N1.	Bolt Hex. N2.	Tube Abut. A.	Thread Length P.	C/L to Face E.	Length D.	Body Dia. B.	Overall Length L1.	L2.
BJ4-2	1/4"	1/8"	.710"	.625"	1 1/16"	5/16"	1 9/32"	1 1/8"	1"	7/16"	1 13/32"
BJ4-4	1/4"	1/4"	.710"	.710"	3/4"	3/8"	1 5/32"	1 3/16"	1 1/8"	1/2"	1 15/32"
BJ5-4	5/16"	1/4"	.710"	.710"	3/4"	3/8"	1 1/32"	1 5/16"	1 1/8"	1/2"	1 15/32"
BJ6-4	3/8"	1/4"	.820"	.710"	3/4"	3/8"	1 1/32"	1 7/16"	1 1/4"	9/16"	1 17/32"
BJ6-6	3/8"	3/8"	.820"	.920"	7/8"	7/16"	1 1/32"	1 5/8"	1 3/8"	5/8"	1 19/32"
BJ8-6	1/2"	3/8"	.920"	.920"	1 5/16"	7/16"	1 9/32"	1 7/8"	1 1/2"	1 1/8"	1 11/8"
BJ8-8	1/2"	1/2"	.920"	1.10"	1 1/16"	9/16"	2 1/32"	1 9/16"	1 5/8"	3/4"	1 13/16"
BJ10-8	5/8"	1/2"	1.10"	1.10"	1 1/16"	9/16"	3/4"	1 3/4"	1 3/4"	13/16"	1 21/32"
BJ12-8	3/4"	1/2"	1.20"	1.10"	1 1/16"	9/16"	3/4"	1 2 1/32"	1 7/8"	7/8"	1 7/8"
BJ12-12	3/4"	3/4"	1.20"	1.30"	1 3/16"	1 1/16"	3/4"	1 13/16"	2"	7/8"	2"
BJ14-12	7/8"	3/4"	1.375"	1.30"	1 1/4"	1 1/16"	2 9/32"	2 1/8"	2 1/8"	1"	2 1/8"
BJ14-16	7/8"	1"	1.375"	1.67"	1 1/2"	1 3/16"	2 9/32"	2 5/16"	2 3/8"	1 1/8"	2 3/8"

## N.B. TUBES

Part No.	N.B. Tube Size T.	BSP Thread R.	Nut Hex. N1.	Bolt Hex. N2.	Tube Abut. A.	Thread Length P.	C/L to face E.	Length D.	Body Dia. B.	Overall Length L1.	L2.
NBJ2-2	1/8"	1/8"	.820"	.625"	1 3/16"	5/16"	1 9/32"	1 1/16"	1 1/4"	9/16"	1 1/16"
NBJ2-4	1/8"	1/4"	.820"	.710"	1 3/16"	3/8"	1 9/32"	1 1/16"	1 1/4"	9/16"	1 1/16"
NBJ4-4	1/4"	1/4"	1.10"	.710"	1 5/16"	3/8"	2 3/32"	1 1 1/16"	1 1/2"	5/8"	1 23/32"
NBJ4-6	1/4"	3/8"	1.10"	.920"	1"	7/16"	2 3/32"	1 3/4"	1 5/8"	3/4"	1 25/32"
NBJ6-6	3/8"	3/8"	1.20"	.920"	1"	7/16"	2 1/32"	2"	1 3/4"	3/4"	1 13/16"
NBJ6-8	3/8"	1/2"	1.20"	1.10"	1 3/16"	9/16"	2 1/32"	2 1/16"	2"	7/8"	2"
NBJ8-8	1/2"	1/2"	1.375"	1.10"	1 1/4"	9/16"	2 9/32"	2 3/16"	2"	7/8"	2 1/8"
NBJ8-12	1/2"	3/4"	1.375"	1.30"	1 1/4"	1 1/16"	2 9/32"	2 1/4"	2 1/8"	1"	2 1/8"

Part numbers indicated are for **Carbon Steel Couplings** only.  
 For **316 Stainless Steel Couplings**, add suffix **SS** to part number.