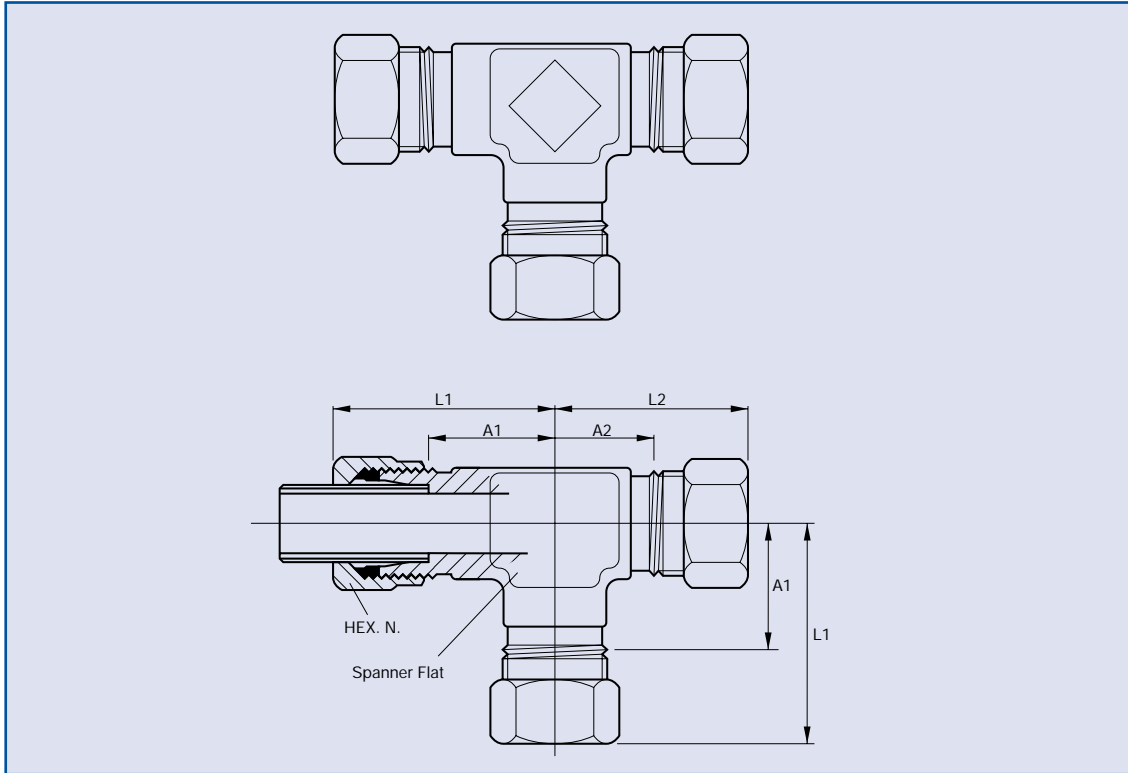


IMPERIAL EQUAL TEES

FOR O.D. & N.B. TUBES



IMPERIAL EQUAL TEES



O.D. TUBES

Part No.	Tube Dia. T.	Nut Hexagon N.	A/F Spanner Flat	Tube Abutment A1.	Tube Abutment A2.	O/A Length L1.	O/A Length L2.
T4	1/4"	.710"	.50"	2 1/32"	1 5/32"	1 3/8"	1 3/16"
T5	5/16"	.710"	.50"	2 3/32"	9/16"	1 1/8"	1 1/32"
T6	3/8"	.820"	.710"	1 3/16"	5/8"	1 1/2"	1 1/2"
T8	1/2"	.920"	.710"	3 1/32"	2 3/32"	1 23/32"	1 15/32"
T10	5/8"	1.10"	.96"	1 1/16"	3/4"	1 27/32"	1 17/32"
T12	3/4"	1.20"	.96"	1 5/16"	7/8"	2 1/8"	1 11/16"
T14	7/8"	1.375"	1.10"	1 7/16"	1 5/16"	2 5/8"	1 3/16"
T16	1"	1.67"	1.30"	1 11/32"	1 7/32"	2 1/2"	2 1/2"
T20	1 1/4"	2.05"	1.56"	1 5/16"	1 3/8"	2 29/32"	2 11/32"
T24	1 1/2"	2.22"	1.80"	2 5/16"	1 9/16"	3 3/8"	2 5/8"

N.B. TUBES

Part No.	N.B. Tube Size T.	Nut Hexagon N.	A/F Spanner Flat	Tube Abutment A1.	Tube Abutment A2.	O/A Length L1.	O/A Length L2.
NT2	1/8"	.820"	.710"	2 7/32"	2 1/32"	1 19/32"	1 13/32"
NT4	1/4"	1.10"	.968"	1 1/16"	3/4"	1 27/32"	1 17/32"
NT6	3/8"	1.20"	.968"	1 5/16"	7/8"	2 1/8"	1 11/16"
NT8	1/2"	1.375"	1.062"	1 7/16"	1 5/16"	2 5/8"	1 3/16"
NT12	3/4"	1.67"	1.312"	1 5/8"	1 1/8"	2 5/8"	2 1/8"
NT16	1"	2.05"	1.56"	1 11/16"	1 3/8"	2 29/32"	2 11/32"
NT20	1 1/4"	2.58"	2.31"	2 7/16"	1 3/4"	3 17/32"	2 27/32"
NT24	1 1/2"	3.02"	2.31"	2 11/16"	1 5/8"	3 3/8"	3 3/8"

Part numbers indicated are for **Carbon Steel Couplings** only.

For **316 Stainless Steel Couplings**, add suffix **SS** to part number.