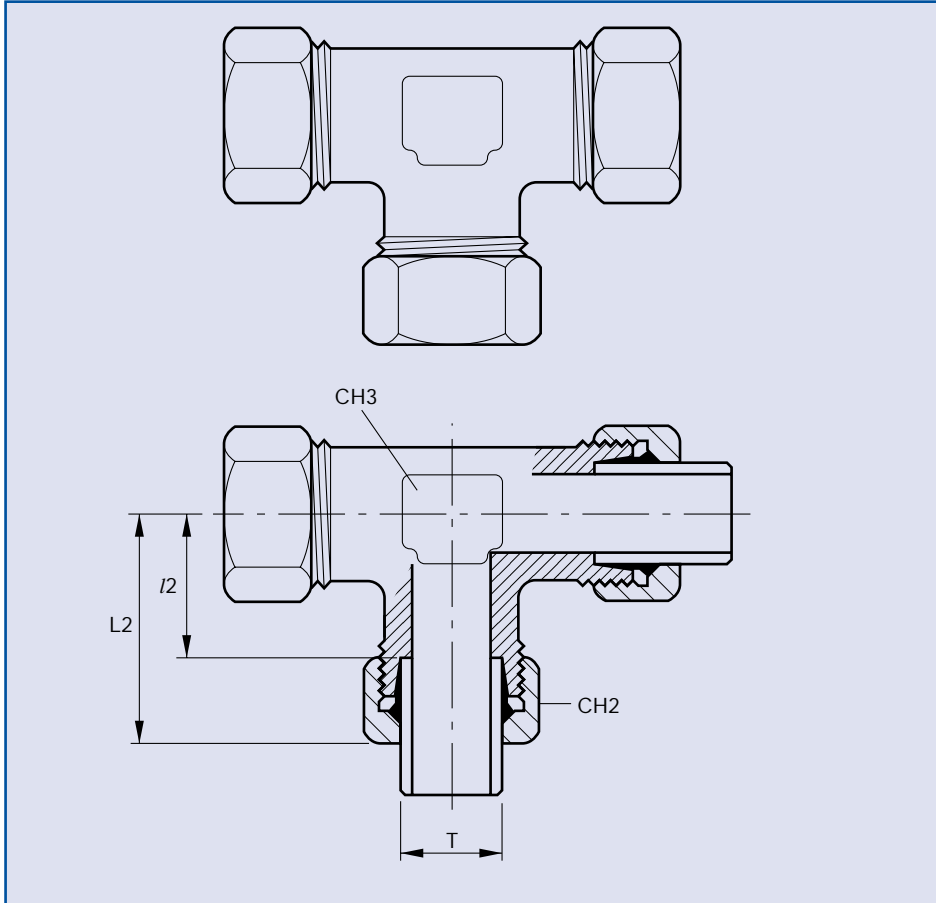


METRIC EQUAL TEES



EQUAL TEES

Series	NP	ØT	Part N°	CH3	CH2	L2	l2
L	315	6	MT6L	12	14	27	12
L	315	8	MT8L	12	17	29	14
L	315	10	MT10L	14	19	30	15
L	315	12	MT12L	17	22	32	17
L	315	15	MT15L	19	27	36	21
L	315	18	MT18L	24	32	40	23.5
L	160	22	MT22L	27	36	44	27.5
L	160	28	MT28L	36	41	47	30.5
L	160	35	MT35L	41	50	56	34.5
L	160	42	MT42L	50	60	63	40
S	630	6	MT6	12	17	31	16
S	630	8	MT8	14	19	32	17
S	630	10	MT10	17	22	34	17.5
S	630	12	MT12	17	24	38	21.5
S	630	14	MT14	19	27	40	22
S	400	16	MT16	24	30	43	24.5
S	400	20	MT20	27	36	48	26.5
S	400	25	MT25	36	46	54	30
S	400	30	MT30	41	50	62	35.5
S	315	38	MT38	50	60	72	41

Part numbers indicated are for **Carbon Steel Couplings** only.
 For **316 Stainless Steel Couplings**, add suffix **SS** to part number.