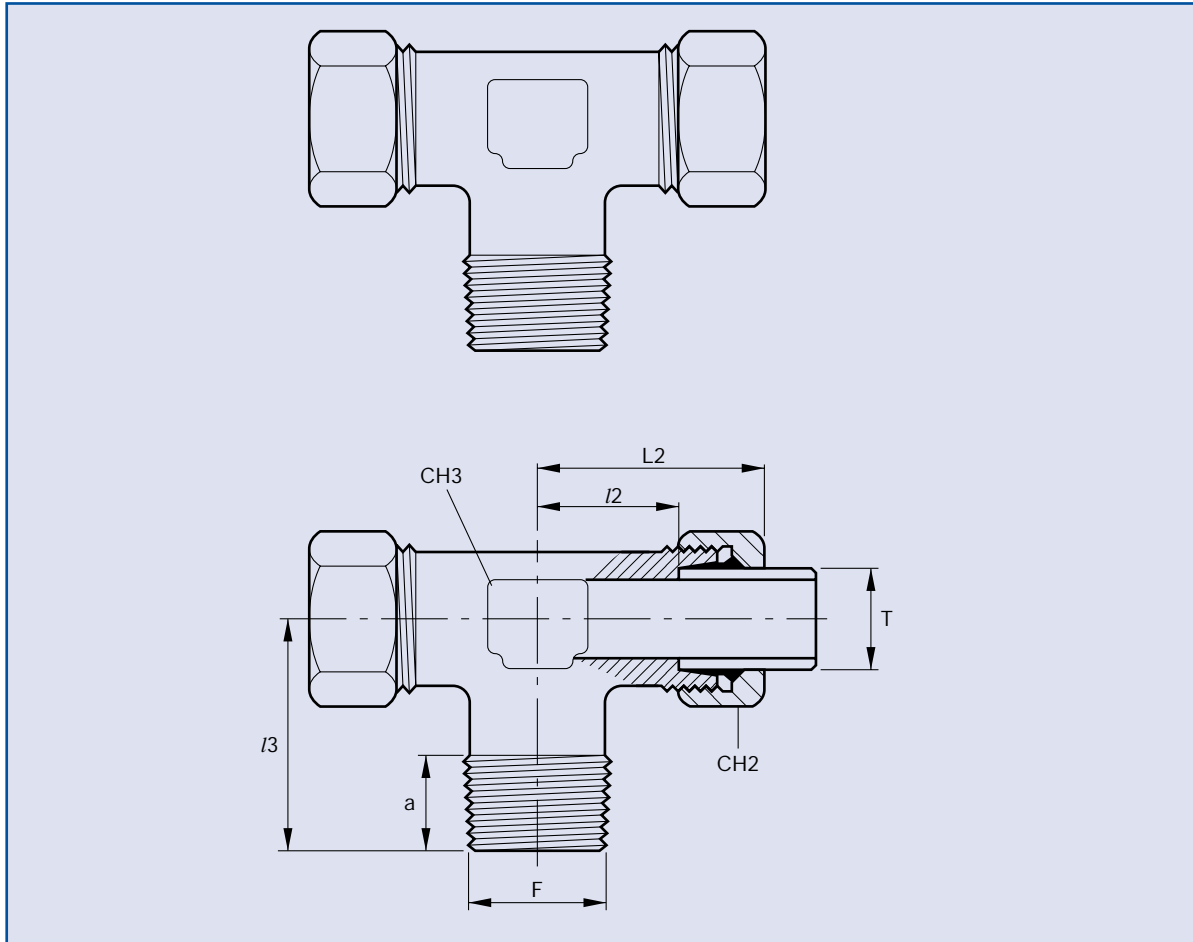


# METRIC BSP TAPER MALE BRANCH TEES

THREAD: BSP TAPERED (DIN 3858)



Series	NP	ØT	Part N°	ØF	CH3	CH2	a	L2	l2	β
L	315	6	MMBT6-2TL	1/8" GC	12	14	9.9	3	12	20
L	315	8	MMBT8-4TL	1/4" GC	14	17	15.1	12	14	26
L	315	10	MMBT10-4TL	1/4" GC	14	19	15.1	12	15	27
L	315	12	MMBT12-6TL	3/8" GC	17	22	15.2	12	17	28
L	315	15	MMBT15-8TL	1/2" GC	24	27	19.8	14	21	34
L	315	18	MMBT18-8TL	1/2" GC	24	32	19.8	14	23.5	36
L	160	22	MMBT22-12TL	3/4" GC	27	36	20.1	16	27.5	42
L	160	28	MMBT28-16TL	1" GC	36	41	25	18	30.5	48
L	160	35	MMBT35-20TL	1 1/4" GC	41	50	25.6	20	34.5	54
L	160	42	MMBT42-24TL	1 1/2" GC	50	60	26	22	40	61
S	630	6	MMBT6-4T	1/4" GC	14	17	15.1	12	16	26
S	630	8	MMBT8-4T	1/4" GC	14	19	15.1	12	17	27
S	630	10	MMBT10-6T	3/8" GC	17	22	15.2	12	17.5	28
S	630	12	MMBT12-6T	3/8" GC	17	24	15.2	12	21.5	28
S	630	14	MMBT14-8T	1/2" GC	24	27	19.8	14	22	32
S	400	16	MMBT16-8T	1/2" GC	24	30	19.8	14	24.5	32
S	400	20	MMBT20-12T	3/4" GC	27	36	20.1	16	26.5	42
S	400	25	MMBT25-16T	1" GC	36	46	25	18	30	48
S	250	30	MMBT30-20T	1 1/4" GC	41	50	25.6	20	35.5	54
S	250	38	MMBT38-24T	1 1/2" GC	50	60	26	22	41	61

Part numbers indicated are for **Carbon Steel Couplings** only.  
For **316 Stainless Steel Couplings**, add suffix **SS** to part number.