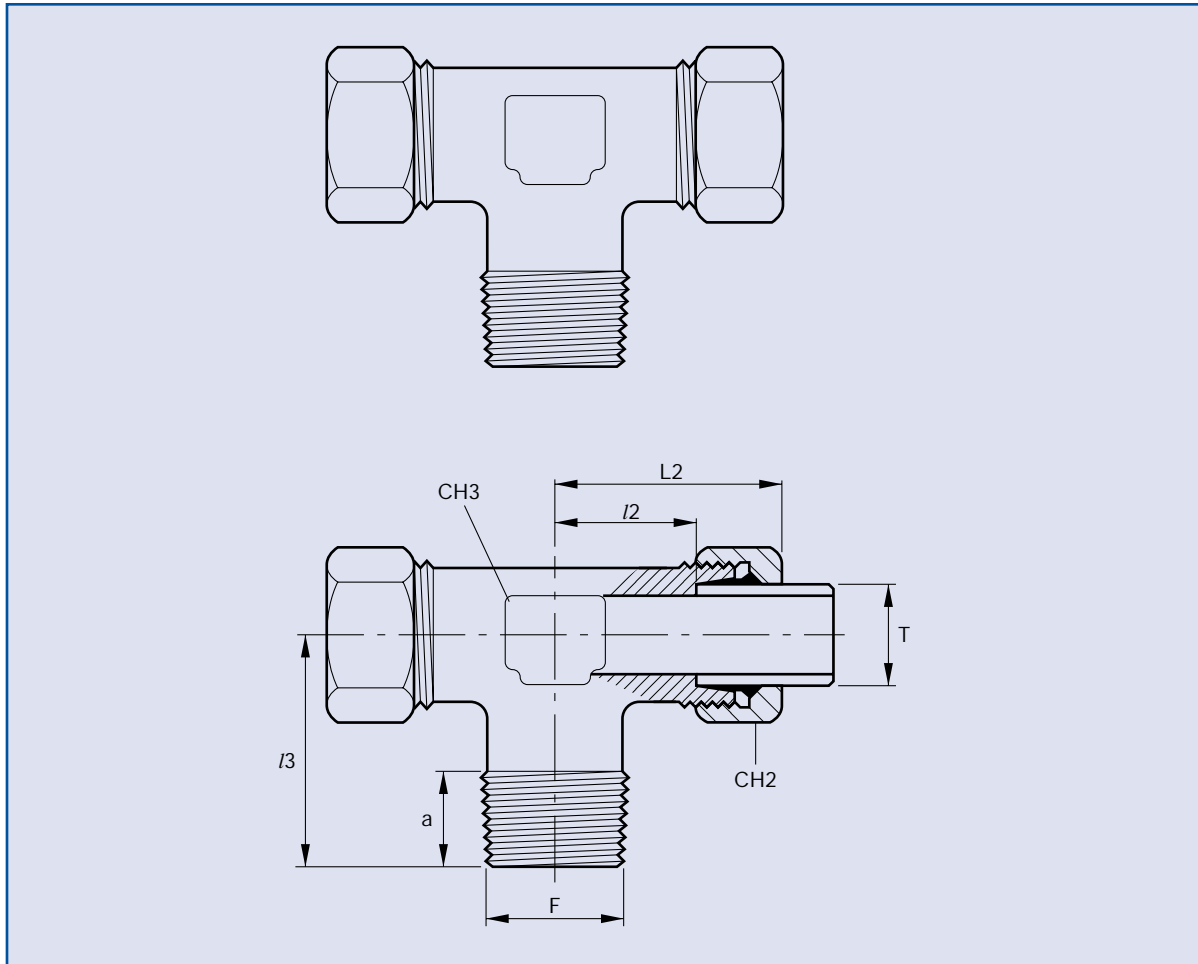


METRIC NPT MALE BRANCH TEES

THREAD: NPT (ASA B2.1 – 1960)



Series	NP	ØT	Part N°	ØF	CH3	CH2	a	L2	l2	l3
L	315	6	MMBT6-2ATL	1/8" NPT	12	14	9.9	27	12	20
L	315	8	MMBT8-4ATL	1/4" NPT	14	17	15.1	29	14	26
L	315	10	MMBT10-4ATL	1/4" NPT	14	19	15.1	30	15	27
L	315	12	MMBT12-6ATL	3/8" NPT	17	22	15.2	32	17	28
L	315	15	MMBT15-8ATL	1/2" NPT	24	27	19.8	36	21	34
L	315	18	MMBT18-8ATL	1/2" NPT	24	32	19.8	40	23.5	36
L	160	22	MMBT22-12ATL	3/4" NPT	27	36	20.1	44	27.5	42
L	160	28	MMBT28-16ATL	1" NPT	36	41	25	47	30.5	48
L	160	35	MMBT35-20ATL	1 1/4" NPT	41	50	25.6	56	34.5	54
L	160	42	MMBT42-24ATL	1 1/2" NPT	50	60	26	63	40	61
S	630	6	MMBT6-4AT	1/4" NPT	14	17	15.1	31	16	26
S	630	8	MMBT8-4AT	1/4" NPT	14	19	15.1	32	17	27
S	630	10	MMBT10-6AT	3/8" NPT	17	22	15.2	34	17.5	28
S	630	12	MMBT12-6AT	3/8" NPT	17	24	15.2	38	21.5	28
S	630	14	MMBT14-8AT	1/2" NPT	24	27	19.8	40	22	34
S	400	16	MMBT16-8AT	1/2" NPT	24	30	19.8	43	24.5	36
S	400	20	MMBT20-12AT	3/4" NPT	27	36	20.1	48	26.5	42
S	400	25	MMBT25-16AT	1" NPT	36	46	25	54	30	48
S	400	30	MMBT30-20AT	1 1/4" NPT	41	50	25.6	62	35.5	54
S	315	38	MMBT38-24AT	1 1/2" NPT	50	60	26	72	41	61

Part numbers indicated are for **Carbon Steel Couplings** only.

For **316 Stainless Steel Couplings**, add suffix **SS** to part number.