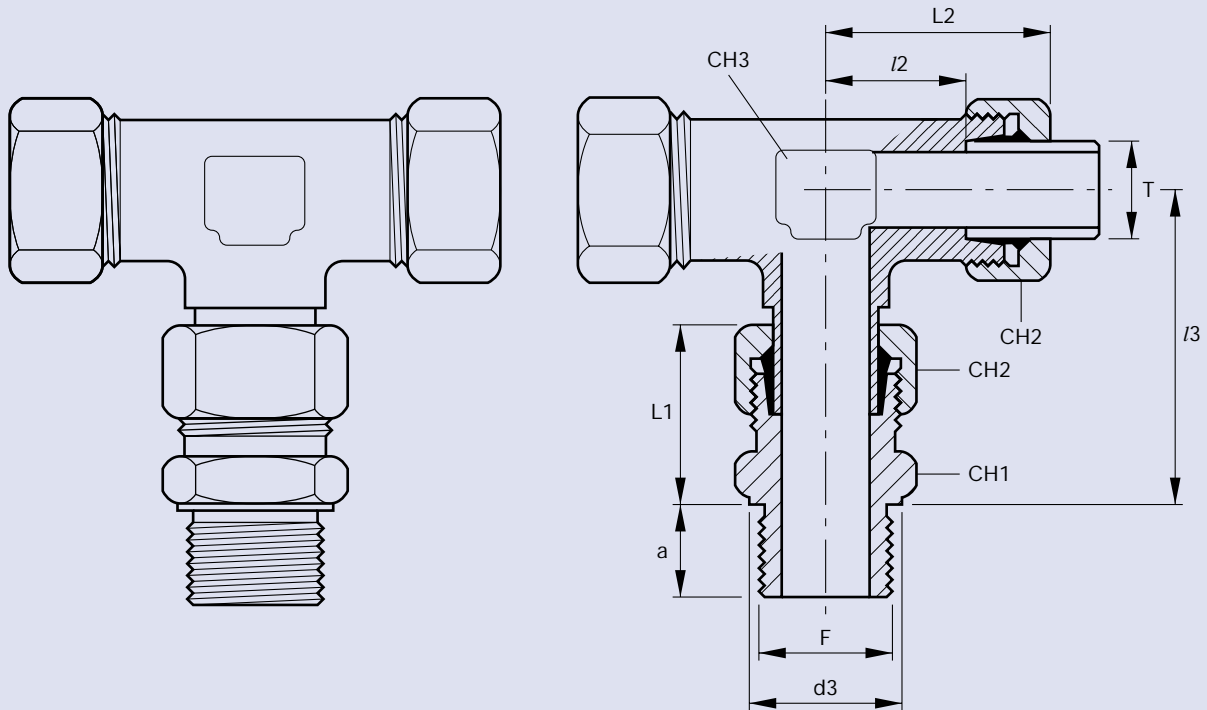


METRIC SWIVEL BRANCH TEES

THREAD: BSP CYLINDRICAL (UNI ISO 228)
COMPLETE ASSEMBLY



SWIVEL BRANCH TEES

Series	NP	ØT	Part N°	ØF	CH1	CH3	CH2	a	Ød3	L1	l3	l2	L2
L	315	6	MSBT6-2L	1/8"	14	12	14	8	14	23	34,5	12	27
L	315	8	MSBT8-4L	1/4"	19	12	17	12	18	25	37	14	29
L	315	10	MSBT10-4L	1/4"	19	14	19	12	18	26	39,5	15	30
L	315	12	MSBT12-6L	3/8"	22	17	22	12	22	27	41,5	17	32
L	315	15	MSBT15-8L	1/2"	27	19	27	14	26	29	46	21	36
L	315	18	MSBT18-8L	1/2"	27	24	32	14	26	31	49,5	23,5	40
L	160	22	MSBT22-12L	3/4"	32	27	36	16	32	33	54,5	27,5	44
L	160	28	MSBT28-16L	1"	41	36	41	18	39	34	59	30,5	47
L	160	35	MSBT35-20L	1 1/4"	50	41	50	20	49	39	68,5	34,5	56
L	160	42	MSBT42-24L	1 1/2"	55	50	60	22	55	42	75	40	63
S	630	6	MSBT6-4	1/4"	19	12	17	12	18	28	40	16	31
S	630	8	MSBT8-4	1/4"	19	14	19	12	18	30	42	17	32
S	630	10	MSBT10-6	3/4"	22	17	22	12	22	31	44,5	17,5	34
S	630	12	MSBT12-6	3/8"	22	17	24	12	22	33	47,5	21,5	38
S	630	14	MSBT14-8	1/2"	27	19	27	14	26	37	53,5	22	40
S	400	16	MSBT16-8	1/2"	27	24	30	14	26	37	54,5	24,5	43
S	400	20	MSBT20-12	3/4"	32	27	36	16	32	42	64,5	26,5	48
S	400	25	MSBT25-16	1"	41	36	46	18	39	47	72,5	30	54
S	250	30	MSBT30-20	1 1/4"	50	41	50	20	49	50	78,5	35,5	62
S	250	38	MSBT38-24	1 1/2"	55	50	60	22	55	57	89	41	72

Part numbers indicated are for **Carbon Steel Couplings** only.
For **316 Stainless Steel Couplings**, add suffix **SS** to part number.