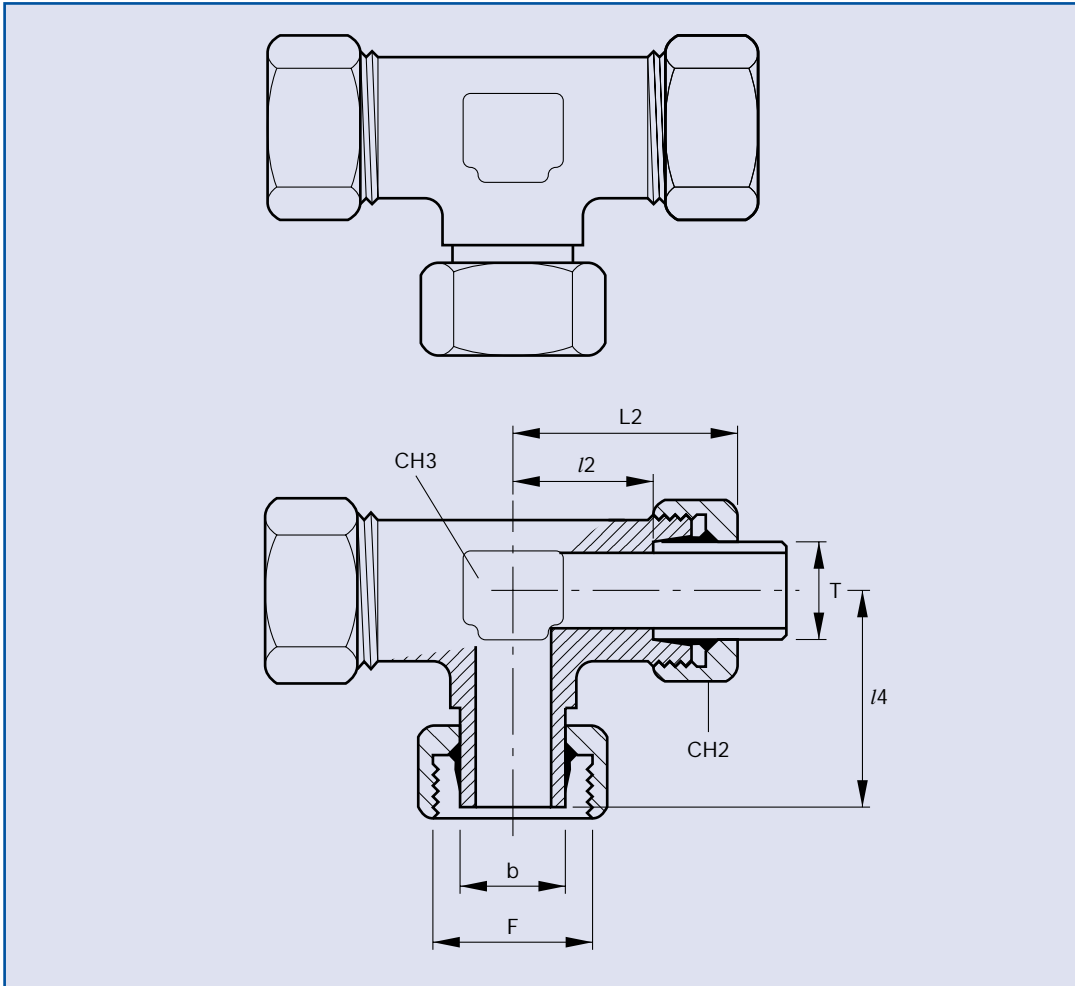


METRIC SWIVEL BRANCH TEES

CAPTIVE NUT TYPE



SWIVEL BRANCH TEES



Series	NP	ØT	Part N°	ØF	CH3	CH2	L2	l2	l4	Øb
L	315	6	MSBT6L	M12 x 1.5	12	14	27	12	26	6
L	315	8	MSBT8L	M14 x 1.5	12	17	29	14	27	8
L	315	10	MSBT10L	M16 x 1.5	14	19	30	15	28.5	10
L	315	12	MSBT12L	M18 x 1.5	17	22	32	17	29	12
L	315	15	MSBT15L	M22 x 1.5	19	27	36	21	32	15
L	315	18	MSBT18L	M26 x 1.5	24	32	40	23.5	35	18
L	160	22	MSBT22L	M30 x 2	27	36	44	27.5	38	22
L	160	28	MSBT28L	M36 x 2	36	41	47	41.5	30.5	28
L	160	35	MSBT35L	M45 x 2	41	50	56	51	34.5	35
L	160	42	MSBT42L	M52 x 2	50	60	63	56	40	42
S	630	6	MSBT6	M14 x 1.5	12	17	31	27	16	6
S	630	8	MSBT8	M16 x 1.5	14	19	32	27	17	8
S	630	10	MSBT10	M18 x 1.5	17	22	34	29.5	17.5	10
S	630	12	MSBT12	M20 x 1.5	17	24	38	30.5	21.5	12
S	630	14	MSBT14	M22 x 1.5	19	27	40	34.5	22	14
S	400	16	MSBT16	M24 x 1.5	24	30	43	36	24.5	16
S	400	20	MSBT20	M30 x 2	27	36	48	44	26.5	20
S	400	25	MSBT25	M36 x 2	36	46	54	49.5	30	25
S	400	30	MSBT30	M42 x 2	41	50	62	55	36.5	30
S	315	38	MSBT38	M52 x 2	50	60	72	63	41	38

Part numbers indicated are for **Carbon Steel Couplings** only.

For **316 Stainless Steel Couplings**, add suffix **SS** to part number.