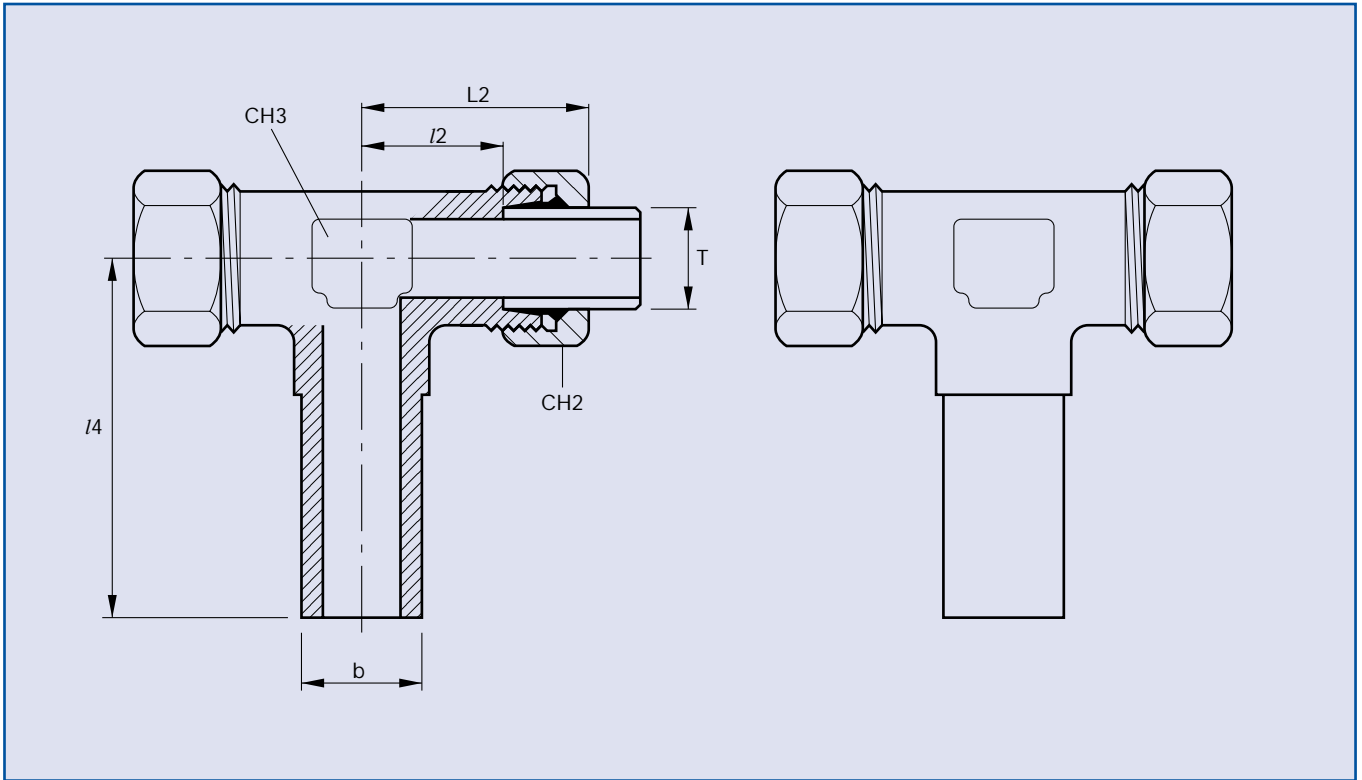


METRIC SWIVEL BRANCH TEES

BODY ONLY

BETABITE
HYDRAULICS



SWIVEL BRANCH TEES

Series	NP	ØT	Part N°	CH3	CH2	L2	l2	l4	Øb
L	315	6	MSBT6LB	12	14	27	12	26	6
L	315	8	MSBT8LB	12	17	29	14	27	8
L	315	10	MSBT10LB	14	19	30	15	28.5	10
L	315	12	MSBT12LB	17	22	32	17	29	12
L	315	15	MSBT15LB	19	27	36	21	32	15
L	315	18	MSBT18LB	24	32	40	23.5	35	18
L	160	22	MSBT22LB	27	36	44	27.5	38	22
L	160	28	MSBT28LB	36	41	47	30.5	41.5	28
L	160	35	MSBT35LB	41	50	56	34.5	51	35
L	160	42	MSBT42LB	50	60	63	40	56	42
S	630	6	MSBT6B	12	17	31	16	27	6
S	630	8	MSBT8B	14	19	32	17	27	8
S	630	10	MSBT10B	17	22	34	17.5	29.5	10
S	630	12	MSBT12B	17	24	38	21.5	30.5	12
S	630	14	MSBT14B	19	27	40	22	34.5	14
S	400	16	MSBT16B	24	30	43	24.5	36	16
S	400	20	MSBT20B	27	36	48	26.5	44	20
S	400	25	MSBT25B	36	46	54	30	49.5	25
S	400	30	MSBT30B	41	50	62	36.5	55	30
S	315	38	MSBT38B	50	60	72	41	63	38

Part numbers indicated are for **Carbon Steel Couplings** only.
For **316 Stainless Steel Couplings**, add suffix **SS** to part number.