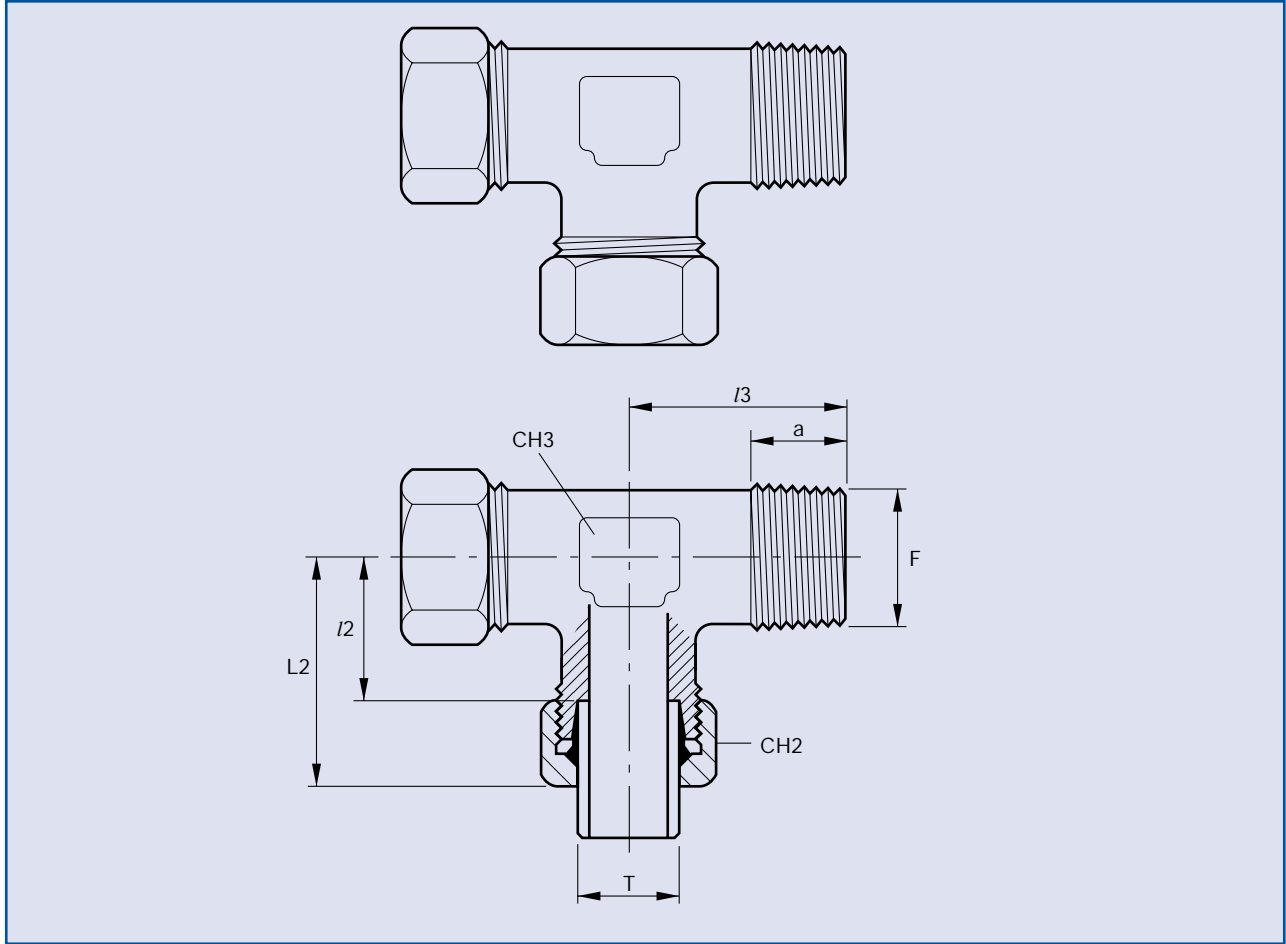


METRIC BSP TAPER MALE RUN TEES

THREAD: BSP TAPERED (DIN 3858)



BSP TAPER MALE RUN TEES

Series	NP	ØT	Part N°	ØF	CH3	CH2	a	L2	l2	l3
L	315	6	MMRT6-2 TL	1/8" GC	12	14	8	21	11	17
L	315	8	MMRT8-4 TL	1/4" GC	12	17	12	29	14	26
L	315	10	MMRT10-4 TL	1/4" GC	14	19	12	30	15	27
L	315	12	MMRT12-6 TL	3/8" GC	17	22	12	32	17	28
L	315	15	MMRT15-8 TL	1/2" GC	19	27	14	36	21	34
L	315	18	MMRT18-8 TL	1/2" GC	24	32	14	40	23.5	36
L	160	22	MMRT22-12 TL	3/4" GC	27	36	16	44	27.5	42
L	160	28	MMRT28-16 TL	1" GC	36	41	18	47	30.5	48
L	160	35	MMRT35-20 TL	1 1/4" GC	41	50	20	56	34.5	54
L	160	42	MMRT42-24 TL	1 1/2" GC	50	60	22	63	40	61
S	630	6	MMRT6-4 T	1/4" GC	12	17	12	31	16	26
S	630	8	MMRT8-4 T	1/4" GC	14	19	12	32	17	27
S	630	10	MMRT10-6 T	3/8" GC	17	22	12	34	17.5	28
S	630	12	MMRT12-6 T	3/8" GC	17	24	12	38	21.5	28
S	630	14	MMRT14-8 T	1/2" GC	19	27	14	40	22	32
S	400	16	MMRT16-8 T	1/2" GC	24	30	14	43	24.5	32
S	400	20	MMRT20-12 T	3/4" GC	27	36	16	48	26.5	42
S	400	25	MMRT25-16 T	1" GC	36	46	18	54	30	48
S	250	30	MMRT30-20 T	1 1/4" GC	41	50	20	62	35.5	54
S	250	38	MMRT38-24 T	1 1/4" GC	50	60	22	72	41	61

Part numbers indicated are for Carbon Steel Couplings only.
For 316 Stainless Steel Couplings, add suffix SS to part number.