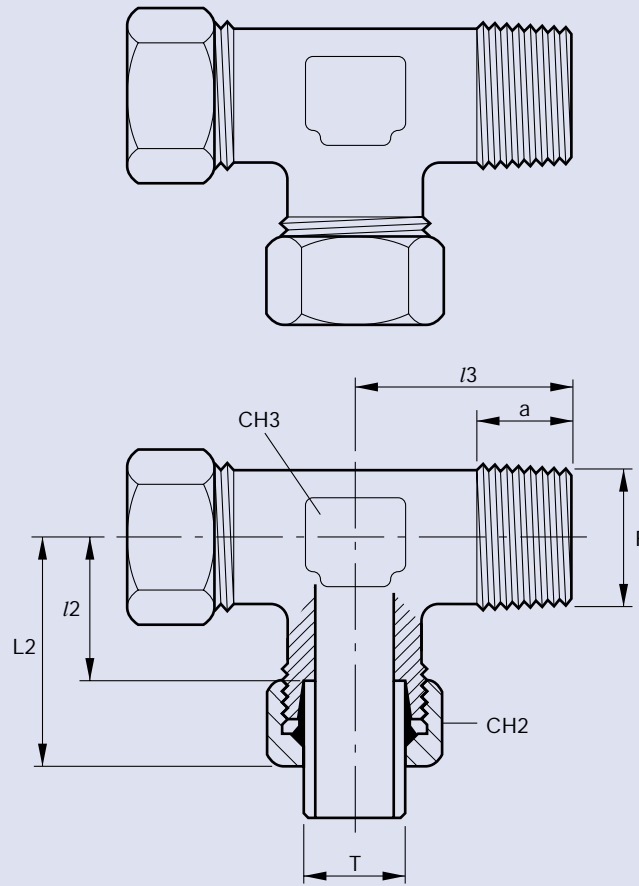


METRIC NPT TAPER MALE RUN TEES

THREAD: NPT (ASA B2.1 – 1960)



NPT TAPER MALE RUN TEES



Series	NP	ØT	Part N°	ØF	CH3	CH2	a	L2	l2	l3
L	315	6	MMRT6-2 ATL	1/8" NPT	12	14	9.9	27	12	20
L	315	8	MMRT8-4 ATL	1/4" NPT	12	17	15.1	29	14	26
L	315	10	MMRT10-4 ATL	1/4" NPT	14	19	15.1	30	15	27
L	315	12	MMRT12-6 ATL	3/8" NPT	17	22	15.2	32	17	28
L	315	15	MMRT15-8 ATL	1/2" NPT	19	27	19.8	36	21	34
L	315	18	MMRT18-8 ATL	1/2" NPT	24	32	19.8	40	23.5	36
L	160	22	MMRT22-12 ATL	3/4" NPT	27	36	20.1	44	27.5	42
L	160	28	MMRT28-16 ATL	1" NPT	36	41	25	47	30.5	48
L	160	35	MMRT35-20 ATL	1 1/4" NPT	41	50	25.6	56	34.5	54
L	160	42	MMRT42-24 ATL	1 1/2" NPT	50	60	26	63	40	61
S	630	6	MMRT6-4 AT	1/4" NPT	12	17	15.1	31	16	26
S	630	8	MMRT8-4 AT	1/4" NPT	14	19	15.1	32	17	27
S	630	10	MMRT10-6 AT	3/8" NPT	17	22	15.2	34	17.5	28
S	630	12	MMRT12-6 AT	3/8" NPT	17	24	15.2	38	21.5	28
S	630	14	MMRT14-8 AT	1/2" NPT	19	27	19.8	40	22	34
S	400	16	MMRT16-8 AT	1/2" NPT	24	30	19.8	43	24.5	36
S	400	20	MMRT20-12 AT	3/4" NPT	27	36	20.1	48	26.5	42
S	400	25	MMRT25-16 AT	1" NPT	36	46	25	54	30	48
S	400	30	MMRT30-20 AT	1 1/4" NPT	41	50	25.6	62	35.5	54
S	315	38	MMRT38-24 AT	1 1/2" NPT	50	60	26	72	41	61

Part numbers indicated are for **Carbon Steel Couplings** only.

For **316 Stainless Steel Couplings**, add suffix **SS** to part number.