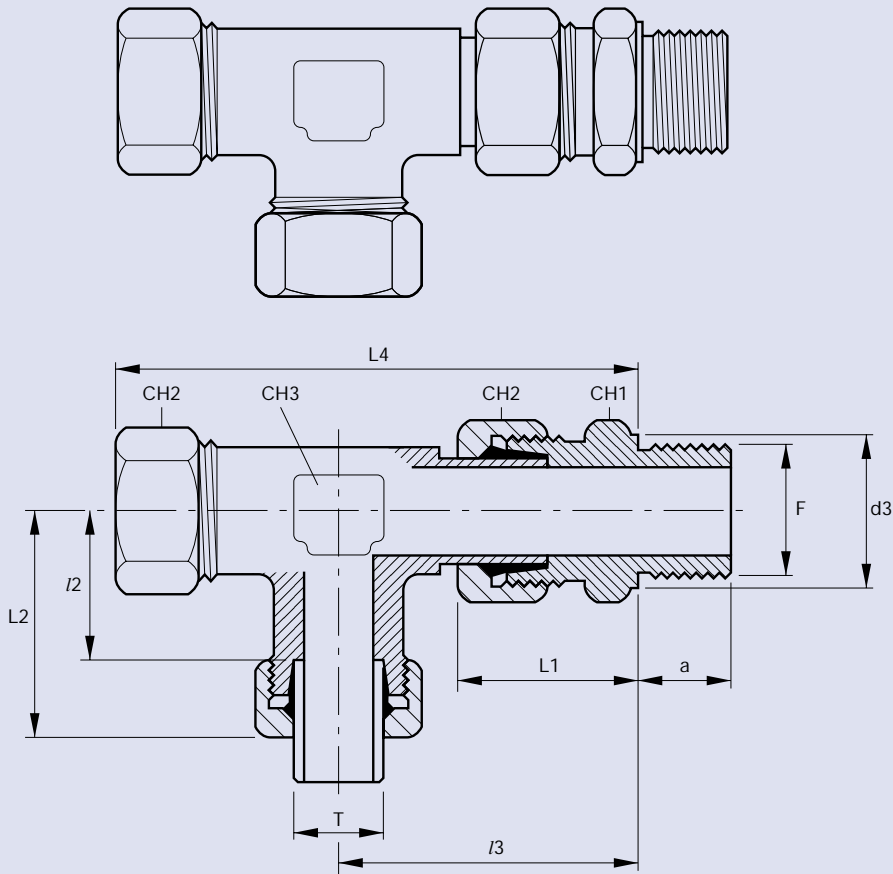


# METRIC SWIVEL RUN TEES

COMPLETE ASSEMBLY



SWIVEL RUN TEES

Series	NP	ØT	Part N°	ØF	CH1	CH3	CH2	a	Ød3	L4	L1	β	l2	L2
L	315	6	MSRT6-2L	1/8"	14	12	14	8	14	61	23	34.5	12	27
L	315	8	MSRT8-4L	1/4"	19	12	17	12	18	66	25	37	14	29
L	315	10	MSRT10-4L	1/4"	19	14	19	12	18	69	26	39.5	15	30
L	315	12	MSRT12-6L	3/8"	22	17	22	12	22	73	27	41.5	17	32
L	315	15	MSRT15-8L	1/2"	27	19	27	14	26	82	29	46	21	36
L	315	18	MSRT18-8L	1/2"	27	24	32	14	26	89	31	49.5	23.5	40
L	160	22	MSRT22-12L	3/4"	32	27	36	16	32	98	33	54.5	27.5	44
L	160	28	MSRT28-16L	1"	41	36	41	18	39	106	34	59	30.5	47
L	160	35	MSRT35-20L	1 1/4"	50	41	50	20	49	125	39	68.5	34.5	56
L	160	42	MSRT42-24L	1 1/2"	55	50	60	22	55	138	42	75	40	63
S	630	6	MSRT6-4	1/4"	19	12	17	12	18	71	28	40	16	31
S	630	8	MSRT8-4	1/4"	19	14	19	12	18	74	30	42	17	32
S	630	10	MSRT10-6	3/8"	22	17	22	12	22	78	31	44.5	17.5	34
S	630	12	MSRT12-6	3/8"	22	17	24	12	22	85	33	47.5	21.5	38
S	630	14	MSRT14-8	1/2"	27	19	27	14	26	93	37	53.5	22	40
S	400	16	MSRT16-8	1/2"	27	24	30	14	26	97	37	54.5	24.5	43
S	400	20	MSRT20-12	3/4"	32	27	36	16	32	113	42	64.5	26.5	48
S	400	25	MSRT25-16	1"	41	36	46	18	39	127	47	72.5	30	54
S	250	30	MSRT30-20	1 1/4"	50	41	50	20	49	141	50	78.5	35.5	62
S	250	38	MSRT38-24	1 1/2"	55	50	60	22	55	161	57	89	41	72

Part numbers indicated are for **Carbon Steel Couplings** only.  
For **316 Stainless Steel Couplings**, add suffix **SS** to part number.