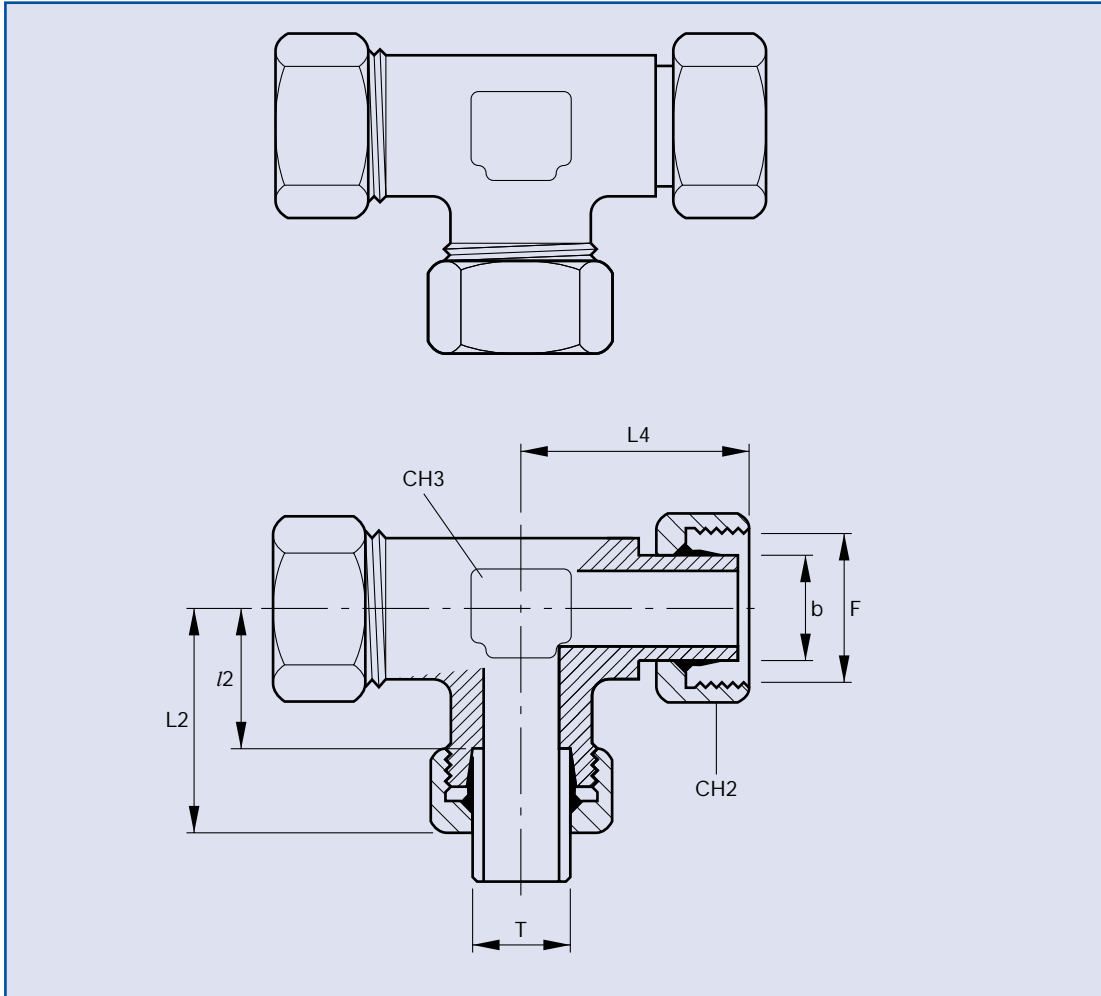


# METRIC SWIVEL RUN TEES

## CAPTIVE NUT TYPE



SWIVEL RUN TEES



Series	NP	ØT	Part N°	ØF	CH3	CH2	L2	l2	L4	Øb
L	315	6	MSRT6L	M12 x 1.5	12	14	27	12	26	6
L	315	8	MSRT8L	M14 x 1.5	12	17	29	14	27	8
L	315	10	MSRT10L	M16 x 1.5	14	19	30	15	28.5	10
L	315	12	MSRT12L	M18 x 1.5	17	22	32	17	29	12
L	315	15	MSRT15L	M22 x 1.5	19	27	36	21	32	15
L	315	18	MSRT18L	M26 x 1.5	24	32	40	23.5	35	18
L	160	22	MSRT22L	M30 x 2	27	36	44	27.5	38	22
L	160	28	MSRT28L	M36 x 2	36	41	47	30.5	41.5	28
L	160	35	MSRT35L	M45 x 2	41	50	56	34.5	51	35
L	160	42	MSRT42L	M52 x 2	50	60	63	40	56	42
S	630	6	MSRT6	M14 x 1.5	12	17	31	16	27	6
S	630	8	MSRT8	M16 x 1.5	14	19	32	17	27	8
S	630	10	MSRT10	M18 x 1.5	17	22	34	17.5	29.5	10
S	630	12	MSRT12	M20 x 1.5	17	24	38	21.5	30.5	12
S	630	14	MSRT14	M22 x 1.5	19	27	40	22	34.5	14
S	400	16	MSRT16	M24 x 1.5	24	30	43	24.5	36	16
S	400	20	MSRT20	M30 x 2	27	36	48	26.5	44	20
S	400	25	MSRT25	M36 x 2	36	46	54	30	49.5	25
S	400	30	MSRT30	M42 x 2	41	50	62	35.5	55	30
S	315	38	MSRT38	M52 x 2	50	60	72	41	63	38

Part numbers indicated are for **Carbon Steel Couplings** only.

For **316 Stainless Steel Couplings**, add suffix **SS** to part number.