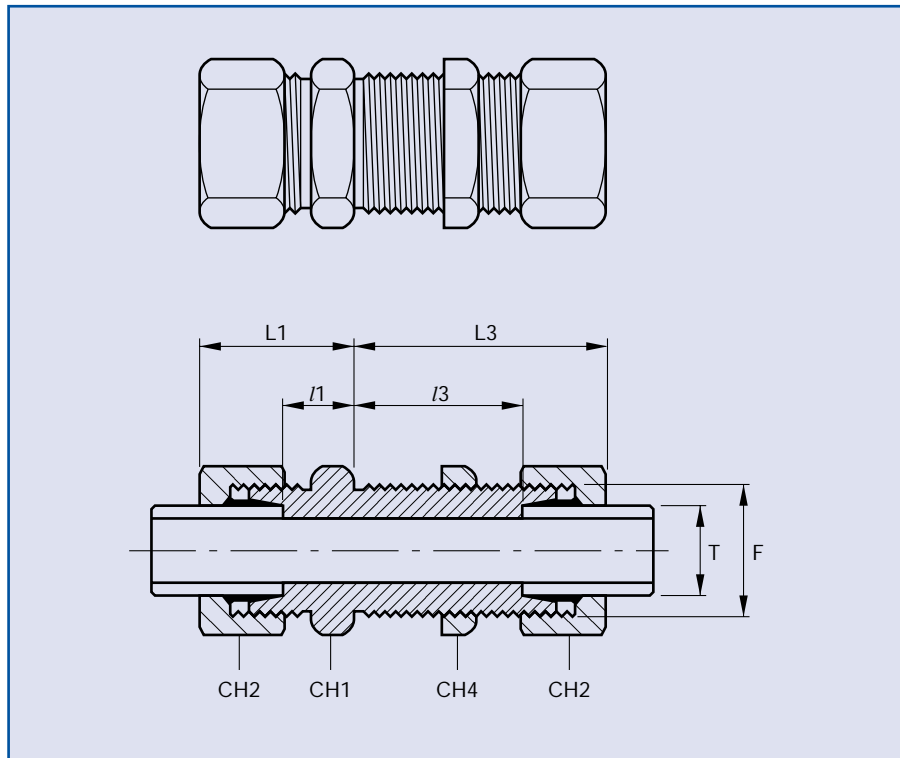


# METRIC BULKHEAD COUPLINGS



Series	NP	ØT	Part N°	ØF	CH1	CH4	CH2	L1	l1	L3	l3
L	315	6	MBH6L	M12 x 1.5	17	17	14	22	7	42	27
L	315	8	MBH8L	M14 x 1.5	19	19	17	23	8	42	27
L	315	10	MBH10L	M16 x 1.5	22	22	19	25	10	43	28
L	315	12	MBH12L	M18 x 1.5	24	24	22	25	10	44	29
L	315	15	MBH15L	M22 x 1.5	27	30	27	27	12	46	31
L	315	18	MBH18L	M26 x 1.5	32	36	32	30	13.5	49	32.5
L	160	22	MBH22L	M30 x 2	36	41	36	33	16.5	51	34.5
L	160	28	MBH28L	M36 x 2	41	46	41	35	18.5	52	35.5
L	160	35	MBH35L	M45 x 2	50	55	50	40	18.5	58	36.5
L	160	42	MBH42L	M52 x 2	60	65	60	42	19	59	36
S	630	6	MBH6	M14 x 1.5	19	19	17	27	12	44	29
S	630	8	MBH8	M16 x 1.5	22	22	19	28	13	44	29
S	630	10	MBH10	M18 x 1.5	24	24	22	31	14.5	46	29.5
S	630	12	MBH12	M20 x 1.5	27	27	24	31	14.5	47	30.5
S	630	14	MBH14	M22 x 1.5	30	30	27	35	17	50	32
S	400	16	MBH16	M24 x 1.5	32	32	30	35	16.5	50	31.5
S	400	20	MBH20	M30 x 2	41	41	36	39	17.5	55	33.5
S	400	25	MBH25	M36 x 2	46	46	46	44	20	59	35
S	400	30	MBH30	M42 x 2	50	50	50	48	21.5	64	37.5
S	315	38	MBH38	M52 x 2	65	65	60	53	22	68	37

Part numbers indicated are for **Carbon Steel Couplings** only.  
For **316 Stainless Steel Couplings**, add suffix **SS** to part number.