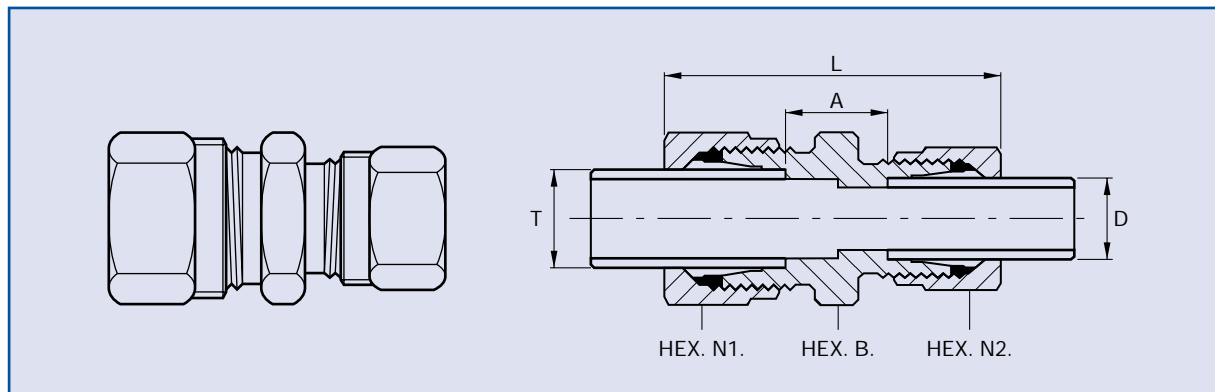


IMPERIAL REDUCING COUPLINGS

FOR O.D. & N.B. TUBES



O.D. TUBES

Part No.	Tube Dia. T.	Tube Dia. D.	Nut Hexagon N1.	Nut Hexagon N2.	Body Hexagon B.	Tube Abutment A.	O/A Length L.
RC5-4	5/16"	1/4"	.710"	.710"	.625"	11/32"	1 23/32"
RC6-4	3/8"	1/4"	.820"	.710"	.710"	11/32"	1 3/4"
RC6-5	3/8"	5/16"	.820"	.710"	.710"	3/8"	1 25/32"
RC8-4	1/2"	1/4"	.920"	.710"	.820"	3/8"	1 13/16"
RC8-6	1/2"	3/8"	.920"	.820"	.820"	13/13"	1 7/8"
RC10-8	5/8"	1/2"	1.10"	.920"	.920"	15/32"	2"
RC12-6	3/4"	3/8"	1.20"	.820"	1.10"	1/2"	2 1/32"
RC12-8	3/4"	1/2"	1.20"	.920"	1.10"	17/32"	2 3/32"
RC12-10	3/4"	5/8"	1.20"	1.10"	1.10"	1/2"	2 3/32"
RC16-8	1"	1/2"	1.67"	.920"	1.48"	11/16"	2 3/8"
RC16-12	1"	3/4"	1.67"	1.20"	1.48"	21/32"	2 13/32"
RC16-14	1"	7/8"	1.67"	1.375"	1.48"	21/32"	2 15/32"
RC20-12	1 1/4"	3/4"	2.05"	1.20"	1.67"	13/16"	2 19/32"
RC20-16	1 1/4"	1"	2.05"	1.67"	1.67"	21/32"	2 3/4"
RC24-16	1 1/2"	1"	2.22"	1.67"	2.05"	29/32"	2 29/32"
RC24-20	1 1/2"	1 1/4"	2.22"	2.05"	2.05"	1"	3 1/32"

N.B. TUBES

Part No.	N.B. Tube Size T.	N.B. Tube Size D.	Nut Hexagon N1.	Nut Hexagon N2.	Body Hexagon B.	Tube Abutment A.	O/A Length L.
NRC4-2	1/4"	1/8"	1.10"	.820"	.920"	15/32"	2"
NRC6-2	3/8"	1/8"	1.20"	.820"	1.10"	17/32"	2 1/32"
NRC6-4	3/8"	1/4"	1.20"	1.10"	1.10"	1/2"	2 3/32"
NRC8-4	1/2"	1/4"	1.375"	1.10"	1.20"	9/16"	2 1/32"
NRC8-6	1/2"	3/8"	1.375"	1.20"	1.20"	9/16"	2 1/4"
NRC12-6	3/4"	3/8"	1.67"	1.20"	1.48"	11/16"	2 1/2"
NRC12-8	3/4"	1/2"	1.67"	1.375"	1.48"	11/16"	2 1/2"
NRC16-8	1"	1/2"	2.05"	1.375"	1.67"	13/16"	2 31/32"
NRC16-12	1"	3/4"	2.05"	1.67"	1.67"	7/8"	2 27/32"
NRC20-12	1 1/4"	3/4"	2.58"	1.67"	2.22"	1 1/16"	3 5/32"
NRC20-16	1 1/4"	1"	2.58"	2.05"	2.22"	1 1/8"	3 3/16"
NRC24-16	1 1/2"	1"	3.02"	2.05"	2.58"	1 1/8"	3 3/32"
NRC24-20	1 1/2"	1 1/4"	3.02"	2.58"	2.58"	1 3/16"	3 15/32"

Part numbers indicated are for **Carbon Steel Couplings** only.

For **316 Stainless Steel Couplings**, add suffix **SS** to part number.

REDUCING COUPLINGS