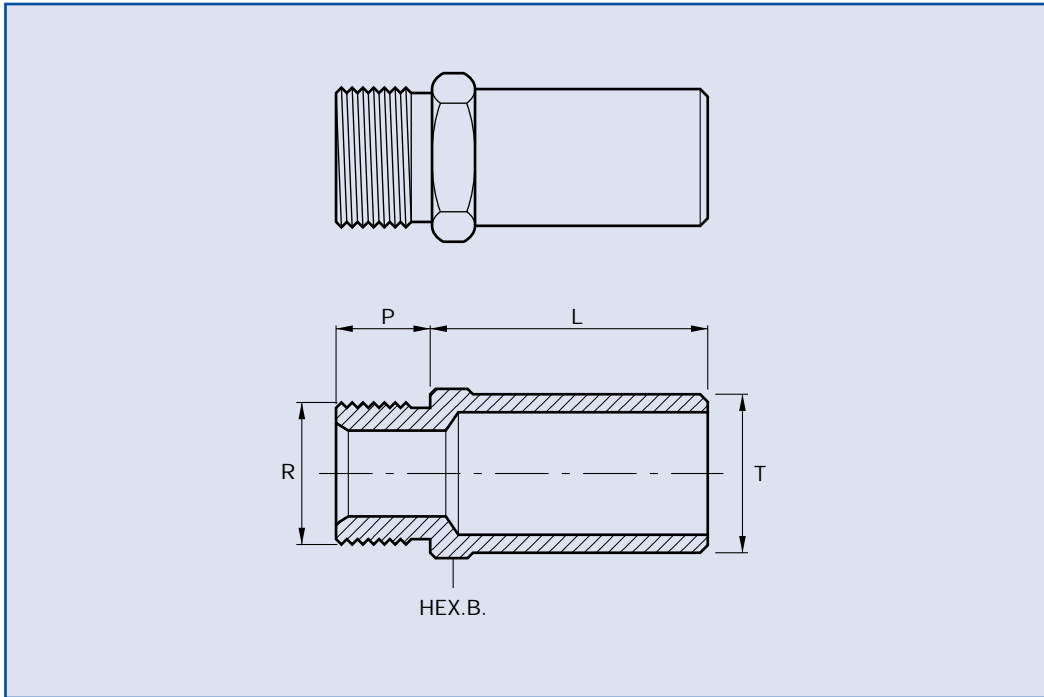


METRIC STUD STANDPIPE ADAPTORS

CONED 60°



STUD STANDPIPE ADAPTORS



Series	ØT	Part N°	BSP Thread R	Body Hex. B	P	L
L	6	MSA6-2L	1/8"	14	9.5	23.5
L	8	MSA8-4L	1/4"	18	11	26
L	10	MSA10-4L	1/4"	18	11	27.5
L	12	MSA12-6L	3/8"	23.4	13	32
L	15	MSA15-8L	1/2"	28	16	28
L	18	MSA18-8L	1/2"	28	16	33.5
L	22	MSA22-12L	3/4"	33	19	32.5
L	28	MSA28-16L	1"	42.4	22	34
L	35	MSA35-20L	1 1/4"	52	25.4	39.1
L	42	MSA42-24L	1 1/2"	56	25.4	38.6
S	6	MSA6-4	1/4"	18	11	26
S	8	MSA8-4	1/4"	18	11	26
S	10	MSA10-6	3/8"	23.4	13	30
S	12	MSA12-6	3/8"	23.4	13	32
S	14	MSA14-8	1/2"	28	16	24
S	16	MSA16-8	1/2"	28	16	37.5
S	20	MSA20-12	3/4"	33	19	41
S	25	MSA25-16	1"	42.4	22	51
S	30	MSA30-20	1 1/4"	52	25.4	46
S	38	MSA38-24	1 1/2"	56	25.4	54.6

BSP Threads internal 60° coned as standard.

Nut and ferrule can be pre-assembled if required.

Part numbers indicated are for **Carbon Steel Couplings** only.

For **316 Stainless Steel Couplings**, add suffix **SS** to part number.