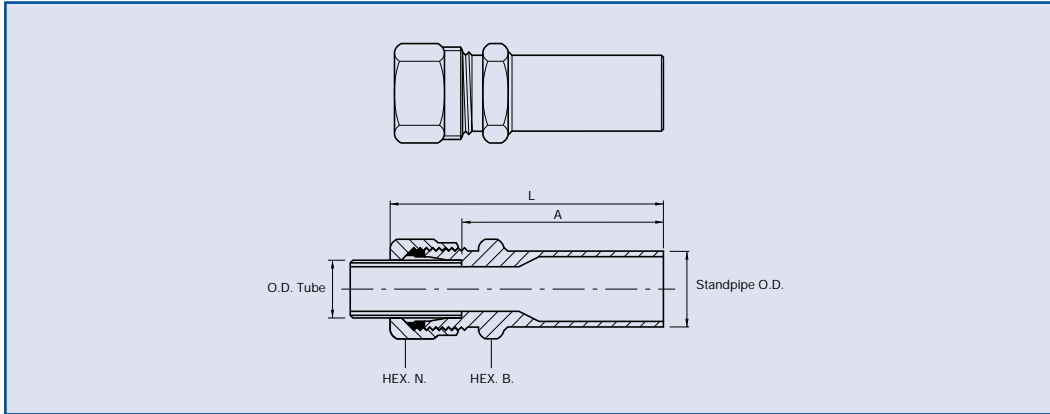


IMPERIAL REDUCING ADAPTORS

FOR O.D. & N.B. FITTINGS



Part No.	O.D. of Tube	O.D. of Standpipe	Nut Hexagon N.	Body Hexagon B.	A.	L.
RA4-6	¼"	¾"	.710"	.625"	1 ¹¹ / ₃₂ "	2 ¹ / ₃₂ "
RA4-8	¼"	½"	.710"	.625"	1 ¹³ / ₃₂ "	1 ³ / ₃₂ "
RA4-10	¼"	5/8"	.710"	.710"	1 ¹⁵ / ₃₂ "	2 ⁷ / ₃₂ "
RA6-8	¾"	½"	.820"	.710"	1 ¹ / ₆ "	2 ⁵ / ₃₂ "
RA6-10	¾"	5/8"	.820"	.710"	1 ¹ / ₂ "	2 ⁷ / ₃₂ "
RA6-12	¾"	¾"	.820"	.820"	1 ¹ / ₂ "	2 ⁷ / ₃₂ "
RA8-10	½"	5/8"	.920"	.820"	1 ¹⁷ / ₃₂ "	2 ⁷ / ₃₂ "
RA8-12	½"	¾"	.920"	.820"	1 ¹⁷ / ₃₂ "	2 ⁷ / ₃₂ "
RA8-14	½"	7/8"	.920"	.920"	1 ²³ / ₃₂ "	2 ¹⁵ / ₃₂ "
RA8-16	½"	1"	.920"	1.10"	1 ²⁹ / ₃₂ "	1 ² / ₁₆ "
RA10-12	5/8"	¾"	1.10"	.920"	1 ¹ / ₆ "	2 ¹ / ₃₂ "
RA12-16	¾"	1"	1.20"	1.10"	1 ⁷ / ₈ "	2 ¹ / ₁₆ "
RA12-20	¾"	1 ¹ / ₄ "	1.20"	1.30"	2 ⁵ / ₃₂ "	2 ³ / ₃₂ "
RA14-20	7/8"	1 ¹ / ₄ "	1.375"	1.30"	2 ⁵ / ₃₂ "	3 ¹ / ₃₂ "
RA14-24	7/8"	1 ¹ / ₂ "	1.375"	1.67"	2 ⁵ / ₁₆ "	3 ⁷ / ₁₆ "
RA16-20	1"	1 ¹ / ₄ "	1.67"	1.48"	2 ³ / ₁₆ "	3 ¹ / ₈ "
RA20-24	1 ¹ / ₄ "	1 ¹ / ₂ "	2.05"	1.67"	2 ⁷ / ₁₆ "	3 ³ / ₃₂ "

Part No.	N.B. Size of Tube	N.B. Dia. of Standpipe	Nut Hexagon N.	Body Hexagon B.	A.	L.
NRA2-4	1/8"	¼"	.820"	.710"	1 ¹ / ₃₂ "	2 ⁹ / ₃₂ "
NRA2-6	1/8"	3/8"	.820"	.710"	1 ¹ / ₃₂ "	2 ⁹ / ₃₂ "
NRA4-6	¼"	3/8"	1.10"	.920"	1 ¹ / ₆ "	2 ¹ / ₃₂ "
NRA4-8	¼"	½"	1.10"	.920"	1 ³ / ₄ "	2 ¹⁷ / ₃₂ "
NRA4-12	¼"	¾"	1.10"	1.10"	1 ⁵ / ₁₆ "	2 ²⁷ / ₃₂ "
NRA4-16	¼"	1"	1.10"	1.375"	2 ⁵ / ₃₂ "	2 ¹⁵ / ₁₆ "
NRA6-8	3/8"	½"	1.20"	1.10"	1 ³ / ₁₆ "	2 ⁵ / ₈ "
NRA6-12	3/8"	¾"	1.20"	1.10"	1 ⁵ / ₁₆ "	2 ⁷ / ₄ "
NRA6-16	3/8"	1"	1.20"	1.375"	2 ⁵ / ₃₂ "	2 ³ / ₃₂ "
NRA8-12	½"	¾"	1.375"	1.20"	2 ¹ / ₆ "	2 ¹⁵ / ₁₆ "
NRA8-16	½"	1"	1.375"	1.375"	2 ⁵ / ₃₂ "	3 ¹ / ₃₂ "
NRA8-20	½"	1 ¹ / ₄ "	1.375"	1.86"	2 ¹⁵ / ₃₂ "	3 ¹ / ₃₂ "
NRA8-24	½"	1 ¹ / ₂ "	1.375"	2.05"	2 ¹ / ₆ "	3 ⁷ / ₁₆ "
NRA12-16	¾"	1"	1.67"	1.48"	2 ³ / ₁₆ "	3 ⁷ / ₁₆ "
NRA12-20	¾"	1 ¹ / ₄ "	1.67"	1.86"	2 ¹ / ₂ "	3 ¹ / ₂ "
NRA12-24	¾"	1 ¹ / ₂ "	1.67"	2.05"	2 ¹⁹ / ₃₂ "	3 ¹⁹ / ₃₂ "
NRA16-20	1"	1 ¹ / ₄ "	2.05"	1.86"	2 ¹ / ₃₂ "	3 ⁷ / ₁₆ "
NRA16-24	1"	1 ¹ / ₂ "	2.05"	2.05"	2 ¹ / ₁₆ "	3 ² / ₃₂ "
NRA20-24	1 ¹ / ₄ "	1 ¹ / ₂ "	2.58"	2.22"	2 ¹³ / ₁₆ "	3 ²⁹ / ₃₂ "

Alternatively supplied fitted with nut and ferrule on each end, at extra cost.

Part numbers indicated are for **Carbon Steel Couplings** only.
For **316 Stainless Steel Couplings**, add suffix **SS** to part number.

REDUCING ADAPTORS