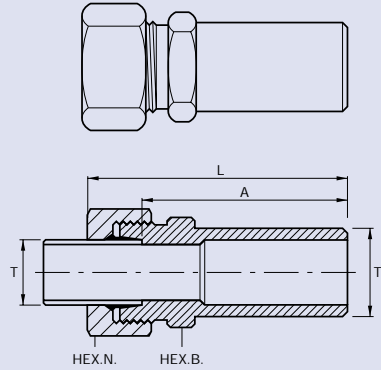


METRIC REDUCING ADAPTORS

L SERIES



Series	ØT	Part N°	ØT1	Nut Hex. N	Body Hex. B	A	L
L	6	MRA6-8L	8	14	12	27.5	42.5
L	6	MRA6-10L	10	14	12	27.5	42.5
L	8	MRA8-10L	10	17	14	28.5	43.5
L	6	MRA6-12L	12	14	14	28.5	43.5
L	8	MRA8-12L	12	17	14	28.5	43.5
L	10	MRA10-12L	12	19	17	29.5	4.5
L	6	MRA6-15L	15	14	17	28.5	43.5
L	8	MRA8-15L	15	17	17	28.5	43.5
L	10	MRA10-15L	15	19	17	29.5	44.5
L	12	MRA12-15L	15	22	19	30.5	45.5
L	6	MRA6-18L	18	14	19	30.5	45.5
L	8	MRA8-18L	18	17	19	30.5	45.5
L	10	MRA10-18L	18	19	19	31.5	46.5
L	12	MRA12-18L	18	22	19	31.5	46.5
L	15	MRA15-18L	18	27	24	32.5	47.5
L	6	MRA6-22L	22	14	24	31.5	46.5
L	8	MRA8-22L	22	17	24	31.5	46.5
L	10	MRA10-22L	22	19	24	32.5	47.5
L	12	MRA12-22L	22	22	24	32.5	47.5
L	15	MRA15-22L	22	27	24	33.5	48.5
L	18	MRA18-22L	22	32	27	34	50.5
L	6	MRA6-28L	28	14	30	33.5	48.5
L	8	MRA8-28L	28	17	30	33.5	48.5
L	10	MRA10-28L	28	19	30	34.5	49.5
L	12	MRA12-28L	28	22	30	34.5	49.5
L	15	MRA15-28L	28	27	30	35.5	50.5
L	18	MRA18-28L	28	32	30	35	51.5
L	22	MRA22-28L	28	36	32	37	53.5
L	6	MRA6-35L	35	14	36	39.5	54.5
L	8	MRA8-35L	35	17	36	39.5	54.5
L	10	MRA10-35L	35	19	36	40.5	55.5
L	12	MRA12-35L	35	22	36	40.5	55.5
L	15	MRA15-35L	35	27	36	41.5	56.5
L	18	MRA18-35L	35	32	36	41	57.5
L	22	MRA22-35L	35	36	36	43	59.5
L	28	MRA28-35L	35	41	36	43	59.5
L	6	MRA6-42L	42	14	46	41.5	56.5
L	8	MRA8-42L	42	17	46	41.5	56.5
L	10	MRA10-42L	42	19	46	42.5	57.5
L	12	MRA12-42L	42	22	46	42.5	57.5
L	15	MRA15-42L	42	27	46	43.5	58.5
L	18	MRA18-42L	42	32	46	43	59.5
L	22	MRA22-42L	42	36	46	45	61.5
L	28	MRA28-42L	42	41	46	45	61.5
L	35	MRA35-42L	42	50	46	44	65.5

Nut and ferrule can be pre-assembled if required.

Part numbers indicated are for **Carbon Steel Couplings** only.

For **316 Stainless Steel Couplings**, add suffix **SS** to part number.