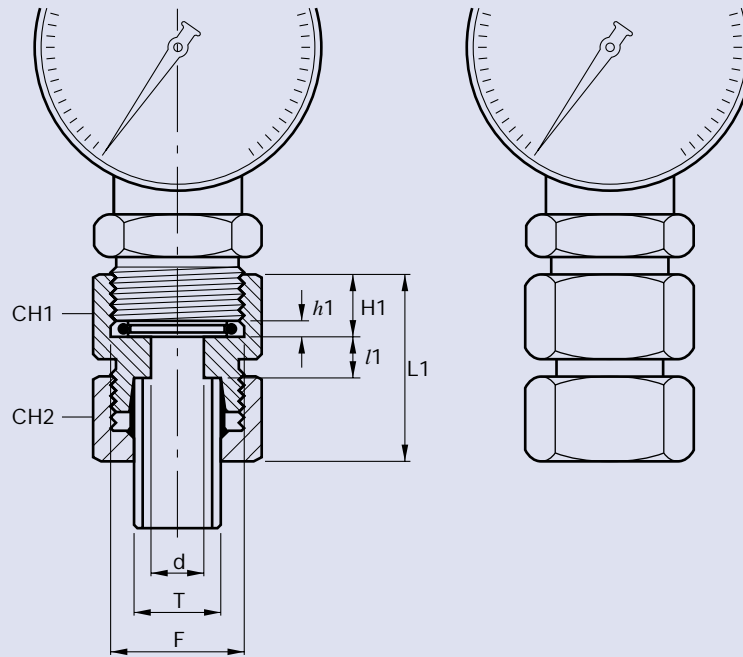


# METRIC PRESSURE GAUGE ADAPTORS

THREAD: BSP CYLINDRICAL (UNI ISO 228)



Series	NP	ØT	Part N°	ØF	CH1	CH2	L1	Ød	l1	H1	h1
L	315	6	MPGA6-4L	1/4"	19	14	37	2.5	7.5	14.5	4.5
L	315	8	MPGA8-4L	1/4"	19	17	37	2.5	7.5	14.5	4.5
L	315	10	MPGA10-4L	1/4"	19	19	38	2.5	8.5	14.5	4.5
L	315	12	MPGA12-4L	1/4"	19	22	38	2.5	8.5	14.5	4.5
S	630	6	MPGA6-8	1/2"	27	17	46	3.5	11	20	5
S	630	8	MPGA8-8	1/2"	27	19	46	3.5	11	20	5
S	630	10	MPGA10-8	1/2"	27	22	47	3.5	10.5	20	5
S	630	12	MPGA12-8	1/2"	27	24	47	3.5	10.5	20	5

Seals for gauge adaptors:

Int. thread	Part N°	D1	D	H
1/4"	PGAS4	11.3	6	4.5
1/2"	PGAS8	18.5	12	5

Part numbers indicated are for **Carbon Steel Couplings** only.  
For **316 Stainless Steel Couplings**, add suffix **SS** to part number.